

# JVC

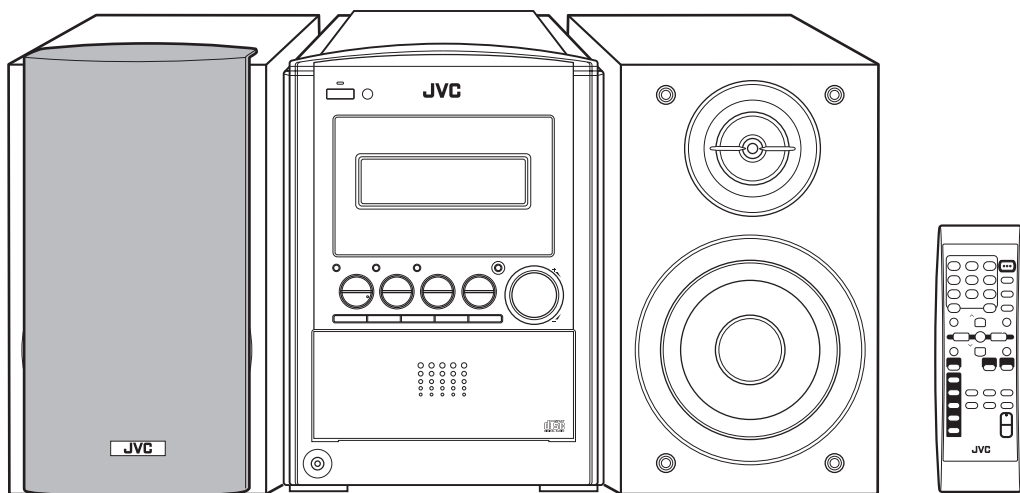
## SERVICE MANUAL

### COMPACT COMPONENT SYSTEM

# FS-S57

#### Area suffix

J ----- U.S.A.  
C ----- Canada



COMPACT  
**disc**  
DIGITAL AUDIO

### TABLE OF CONTENTS

|   |                                    |      |
|---|------------------------------------|------|
| 1 | PRECAUTION.....                    | 1-3  |
| 2 | SPECIFIC SERVICE INSTRUCTIONS..... | 1-6  |
| 3 | DISASSEMBLY.....                   | 1-7  |
| 4 | ADJUSTMENT.....                    | 1-30 |
| 5 | TROUBLESHOOTING.....               | 1-31 |

## SPECIFICATION

|                               |   |  |
|-------------------------------|---|--|
| Amplifier Section<br>CA-FSS57 | Output Power                                  | 74 W per channel, min. RMS, driven into 6 $\Omega$ at 1 kHz with no more than 10% total harmonic distortion. |
|                               | Analog input sensitivity/Impedance (at 1 kHz) | AUX/DVD:400 mV/48 k $\Omega$   |
|                               | Speakers/Impedance                            | 6 $\Omega$ - 16 $\Omega$   |
| Tuner                         | FM tuning range                               | 87.5 MHz-108.0 MHz   |
|                               | AM tuning range                               | 530 kHz-1 710 kHz  |
| CD player                     | CD Capacity                                   | 5 CDs  |
|                               | Dynamic range                                 | 87 dB  |
|                               | Signal-to-noise ratio                         | 90 dB  |
|                               | Wow and flutter                               | Immeasurable   |
| General                       | Power requirement                             | AC 120 V , 60 Hz   |
|                               | Power consumption                             | 110 W (at operation)   |
|                               |   | 17 W (on standby)  |
|                               |   | 1.4 W (in power save mode)   |
|                               | Dimensions (W/H/D) (approx.)                  | 175 mm $\times$ 239.5 mm $\times$ 378 mm (6 15/16 in. $\times$ 9 1/2 in. $\times$ 14 15/16 in.)              |
| Mass (approx.)                | 7.4 kg (16.3 lbs)                             |  |
| Speaker Section<br>SP-UXS57   | Type  | 2-way bass-reflex type   |
|                               | Speakers                                      | Woofers 12 cm cone $\times$ 1  |
|                               |   | Tweeter 4 cm cone $\times$ 1   |
|                               | Power handling capacity                       | 60 W   |
|                               | Impedance                                     | 6 $\Omega$   |
|                               | Frequency range                               | 53 Hz to 30 kHz  |
|                               | Sound pressure level                          | 84 dB/W-m  |
|                               | Dimensions (W/H/D) (approx.)                  | 145 mm $\times$ 239.5 mm $\times$ 202 mm (5 3/4 in. $\times$ 9 1/2 in. $\times$ 8 in.)                       |
| Mass (approx.)                | 2.2 kg (4.9 lbs) each                         |  |

Design and specifications are subject to change without notice.

# SECTION 1 PRECAUTION

## 1.1 Safety Precautions

- (1) This design of this product contains special hardware and many circuits and components specially for safety purposes. For continued protection, no changes should be made to the original design unless authorized in writing by the manufacturer. Replacement parts must be identical to those used in the original circuits. Services should be performed by qualified personnel only.
- (2) Alterations of the design or circuitry of the product should not be made. Any design alterations of the product should not be made. Any design alterations or additions will void the manufacturer's warranty and will further relieve the manufacturer of responsibility for personal injury or property damage resulting therefrom.
- (3) Many electrical and mechanical parts in the products have special safety-related characteristics. These characteristics are often not evident from visual inspection nor can the protection afforded by them necessarily be obtained by using replacement components rated for higher voltage, wattage, etc. Replacement parts which have these special safety characteristics are identified in the Parts List of Service Manual. Electrical components having such features are identified by shading on the schematics and by ( $\Delta$ ) on the Parts List in the Service Manual. The use of a substitute replacement which does not have the same safety characteristics as the recommended replacement parts shown in the Parts List of Service Manual may create shock, fire, or other hazards.
- (4) The leads in the products are routed and dressed with ties, clamps, tubings, barriers and the like to be separated from live parts, high temperature parts, moving parts and/or sharp edges for the prevention of electric shock and fire hazard. When service is required, the original lead routing and dress should be observed, and it should be confirmed that they have been returned to normal, after reassembling.

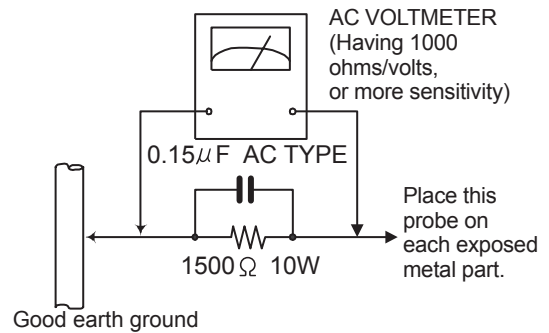
### (5) Leakage shock hazard testing

After reassembling the product, always perform an isolation check on the exposed metal parts of the product (antenna terminals, knobs, metal cabinet, screw heads, headphone jack, control shafts, etc.) to be sure the product is safe to operate without danger of electrical shock. Do not use a line isolation transformer during this check.

- Plug the AC line cord directly into the AC outlet. Using a "Leakage Current Tester", measure the leakage current from each exposed metal part of the cabinet, particularly any exposed metal part having a return path to the chassis, to a known good earth ground. Any leakage current must not exceed 0.5mA AC (r.m.s.).
- Alternate check method  
Plug the AC line cord directly into the AC outlet. Use an AC voltmeter having, 1,000 $\Omega$  per volt or more sensitivity in the following manner. Connect a 1,500 $\Omega$  10W resistor paralleled by a 0.15 $\mu$ F AC-type capacitor between an exposed metal part and a known good earth ground. Measure the AC voltage across the resistor with the AC

voltmeter.

Move the resistor connection to each exposed metal part, particularly any exposed metal part having a return path to the chassis, and measure the AC voltage across the resistor. Now, reverse the plug in the AC outlet and repeat each measurement. Voltage measured any must not exceed 0.75 V AC (r.m.s.). This corresponds to 0.5 mA AC (r.m.s.).



## 1.2 Warning

- (1) This equipment has been designed and manufactured to meet international safety standards.
- (2) It is the legal responsibility of the repairer to ensure that these safety standards are maintained.
- (3) Repairs must be made in accordance with the relevant safety standards.
- (4) It is essential that safety critical components are replaced by approved parts.
- (5) If mains voltage selector is provided, check setting for local voltage.

## 1.3 Caution

**Burrs formed during molding may be left over on some parts of the chassis.**

**Therefore, pay attention to such burrs in the case of pre-forming repair of this system.**

## 1.4 Critical parts for safety

In regard with component parts appearing on the silk-screen printed side (parts side) of the PWB diagrams, the parts that are printed over with black such as the resistor (■), diode (■) and ICP (●) or identified by the " $\Delta$ " mark nearby are critical for safety. When replacing them, be sure to use the parts of the same type and rating as specified by the manufacturer. (This regulation does not Except the J and C version)

## 1.5 Preventing static electricity

Electrostatic discharge (ESD), which occurs when static electricity stored in the body, fabric, etc. is discharged, can destroy the laser diode in the traverse unit (optical pickup). Take care to prevent this when performing repairs.

### 1.5.1 Grounding to prevent damage by static electricity

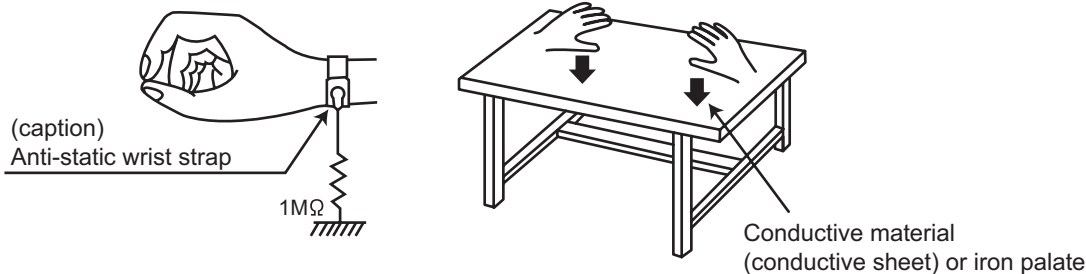
Static electricity in the work area can destroy the optical pickup (laser diode) in devices such as laser products. Be careful to use proper grounding in the area where repairs are being performed.

(1) Ground the workbench

Ground the workbench by laying conductive material (such as a conductive sheet) or an iron plate over it before placing the traverse unit (optical pickup) on it.

(2) Ground yourself

Use an anti-static wrist strap to release any static electricity built up in your body.



(3) Handling the optical pickup

- In order to maintain quality during transport and before installation, both sides of the laser diode on the replacement optical pickup are shorted. After replacement, return the shorted parts to their original condition. (Refer to the text.)
- Do not use a tester to check the condition of the laser diode in the optical pickup. The tester's internal power source can easily destroy the laser diode.

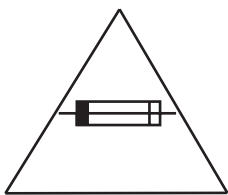
## 1.6 Handling the traverse unit (optical pickup)

- (1) Do not subject the traverse unit (optical pickup) to strong shocks, as it is a sensitive, complex unit.
- (2) Cut off the shorted part of the flexible cable using nippers, etc. after replacing the optical pickup. For specific details, refer to the replacement procedure in the text. Remove the anti-static pin when replacing the traverse unit. Be careful not to take too long a time when attaching it to the connector.
- (3) Handle the flexible cable carefully as it may break when subjected to strong force.
- (4) It is not possible to adjust the semi-fixed resistor that adjusts the laser power. Do not turn it.

## 1.7 Attention when traverse unit is decomposed

**\*Please refer to "Disassembly method" in the text for the pickup unit.**

- Apply solder to the short land sections before the flexible wire is disconnected from the connector on the servo board. (If the flexible wire is disconnected without applying solder, the pickup may be destroyed by static electricity.)
- In the assembly, be sure to remove solder from the short land sections after connecting the flexible wire.



Caution: For continued protection against risk of fire, replace only with same type 2.5 A/125 V for F1000, 1.5 A/125 V for F1001.

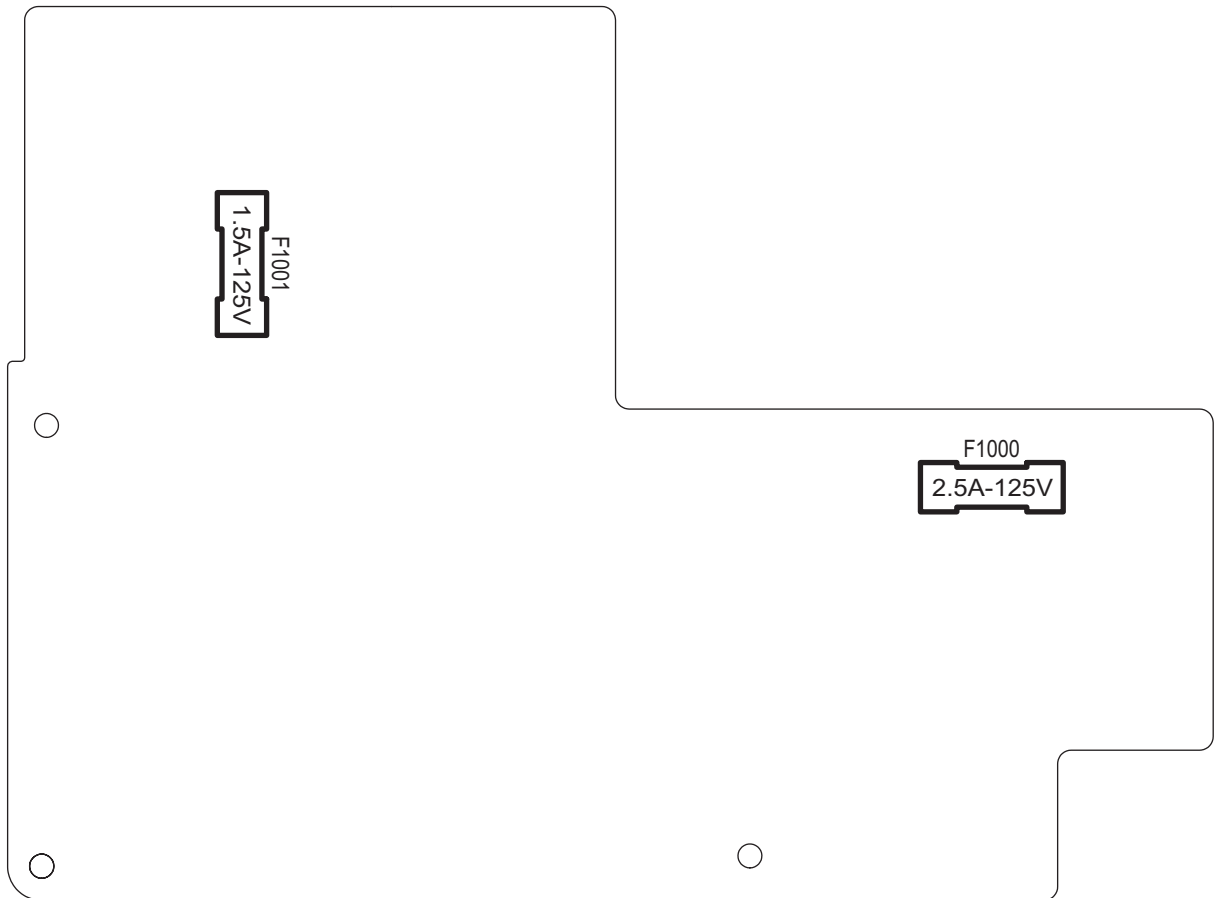
This symbol specifies type of fast operating fuse.

Précaution: Pour éviter risques de feux, remplacez le fusible de sûreté de F1000 comme le même type que 2,5 A/125 V, et 1,5 A/125 V pour F1001.

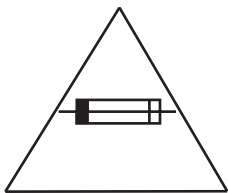
Ce sont des fusibles sûretés qui fonctionnent rapide.

## 1.8 Importance administering point on the safety

Primary board



For USA and Canada / pour Etats - Unis d' Amérique et Canada



Caution: For continued protection against risk of fire, replace only with same type 2.5 A/125 V for F1000, 1.5 A/125 V for F1001.

This symbol specifies type of fast operating fuse.

Précaution: Pour éviter risques de feux, remplacez le fusible de sûreté de F1000 comme le même type que 2,5 A/125 V, et 1,5 A/125 V pour F1001.

Ce sont des fusibles sûretés qui fonctionnent rapide.

## **SECTION 2 SPECIFIC SERVICE INSTRUCTIONS**

This service manual does not describe SPECIFIC SERVICE INSTRUCTIONS.

## SECTION 3 DISASSEMBLY

### 3.1 Main body section

#### 3.1.1 Removing the metal cover

(See Figs.1 to 3)

- (1) From the back side of the main body, remove the six screws **A** attaching the metal cover. (See Fig.1.)
- (2) From the both sides of the main body, remove the two screws **B** attaching the metal cover. (See Figs.2 and 3.)
- (3) Remove the metal cover in the direction of the arrow while extending the lower sections of the metal cover. (See Figs.2 and 3.)

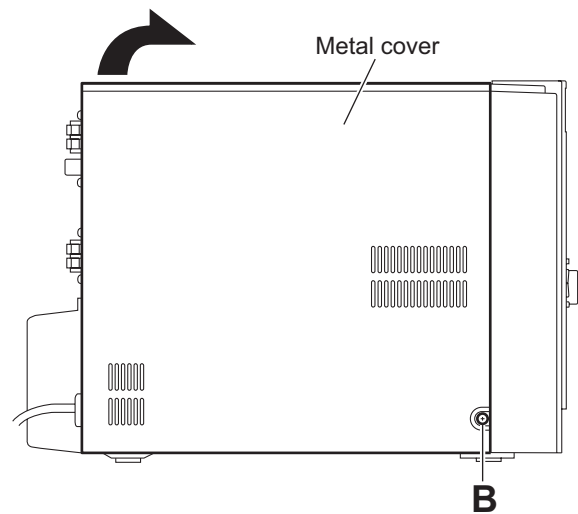
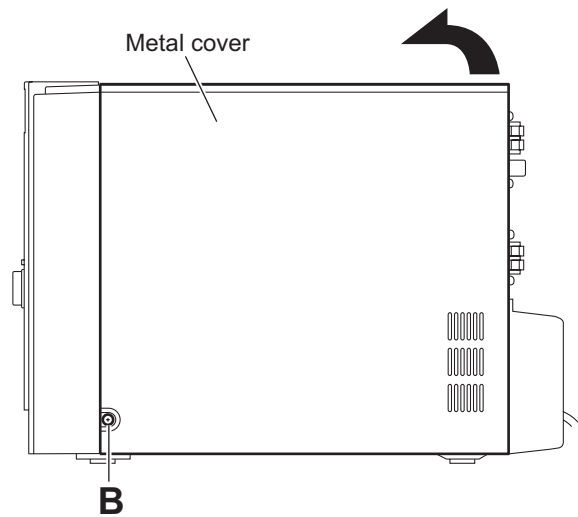
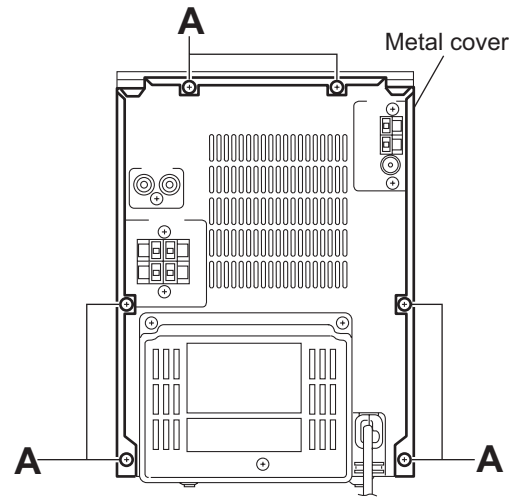


Fig.1

Fig.2

Fig.3

### 3.1.2 Removing the front panel assembly (See Figs.4 to 6)

- Remove the metal cover.

(1) From the left side of the main body, disconnect the wire from the connector **CN104** on the power supply board. (See Fig.4.)

**Reference:**

After connecting the wire to the connector **CN104**, fix the wire with the spacer as before. (See Fig.4.)

(2) Disconnect the card wire from the connector **CN700** on the micon board. (See Figs.4 and 5.)

**Reference:**

After connecting the card wire to the connector **CN700**, fix the card wire with the spacer as before. (See Fig.4.)

(3) From the top side of the main body, remove the screws **C** attaching the front panel assembly. (See Fig.5.)

(4) From the bottom side of the main body, remove the two screws **D** attaching the front panel assembly. (See Fig.6.)

(5) Release the two hooks **a** and hook **b** from the both and bottom sides of the front panel assembly, and remove the front panel assembly in the direction of the arrow. (See Fig.6.)

**Reference:**

When attaching the front panel assembly, fit the micon board to the notch **c** on the back side of the front panel assembly. (See Fig.5.)

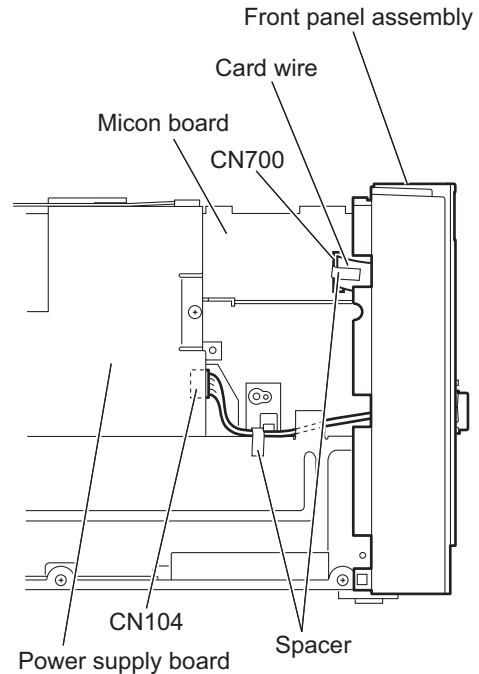
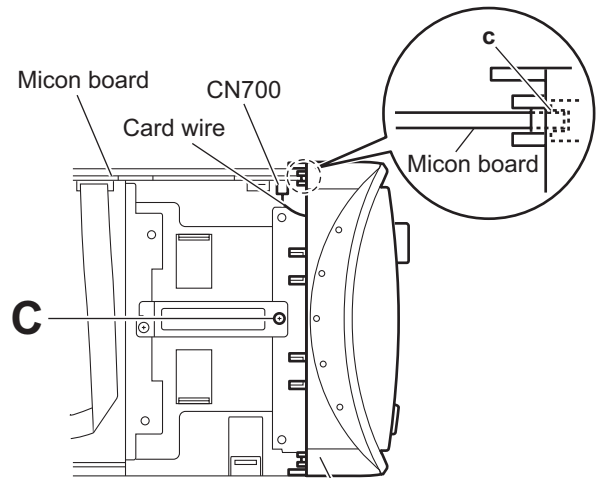
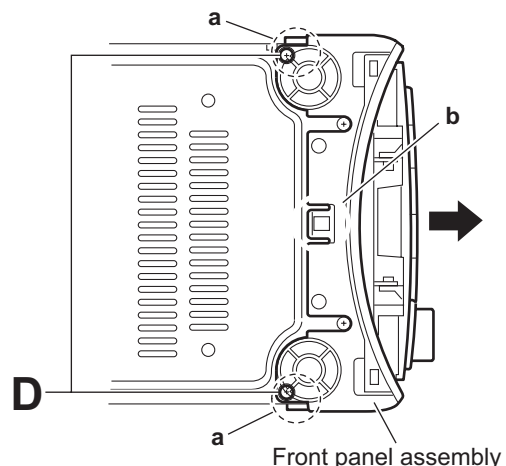


Fig.4



Front panel assembly  
Fig.5



Front panel assembly  
Fig.6



### 3.1.3 Removing the rear panel (See Fig.7)

- Remove the metal cover.
  - From the back side of the main body, remove the five screws **E** attaching the rear panel.
  - Remove the screw **F** attaching the rear cover.
  - Remove the rear panel from the chassis while extending the sections **d** of the rear panel in the direction of the arrow.

#### Reference:

When removing the rear cover, remove the screw **F** and two screws **F'**.

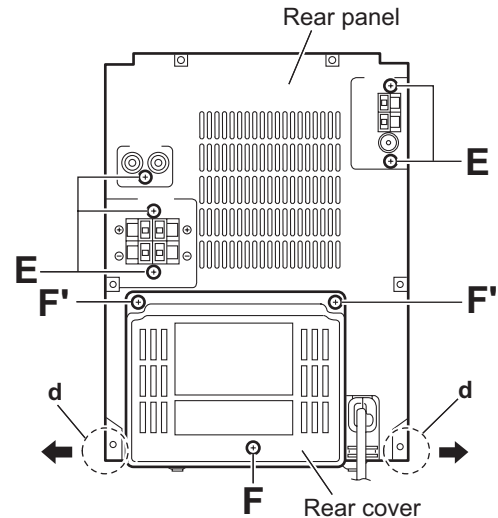


Fig.7

### 3.1.4 Removing the power supply board (See Fig.8)

- Remove the metal cover.
  - From the left side of the main body, remove the screw **G** and screw **H** attaching the power supply board.
  - Disconnect the connectors **CN103** on the power supply board toward this side.
  - From the forward side of the power supply board, disconnect the wires from the connectors (**CN100** to **CN102**, **CN104**).

#### Reference:

When attaching the screw **G**, attach the primary protector with it.

### 3.1.5 Removing the tuner (See Fig.8)

- Remove the metal cover.
  - From the left side of the main body, disconnect the card wire from the connector **CN1** on the tuner.
  - From the back side of the main body, remove the two screws **J** attaching the tuner.

#### Reference:

- After attaching the tuner, put the card wire on the section **e** of the primary protector.
- When connecting the card wire to the connector **CN1**, fix the card wire with the spacer as before.

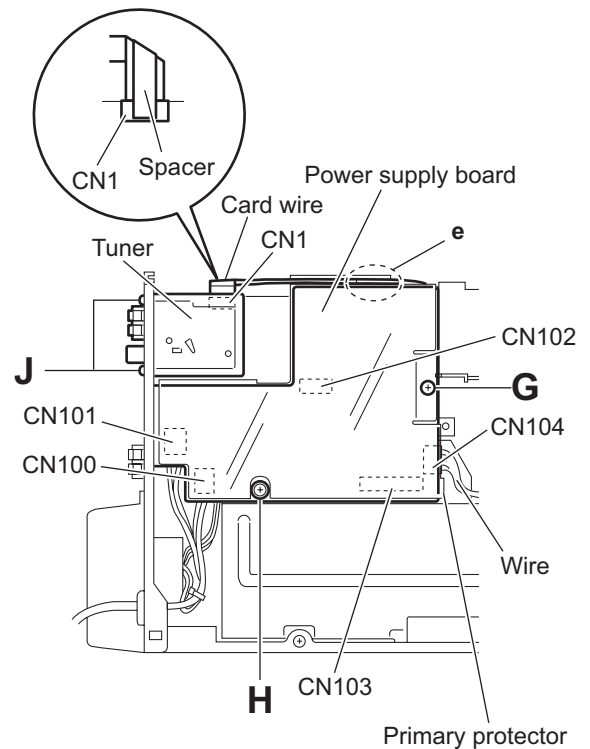


Fig.8

### 3.1.6 Removing the micon board (See Figs.9 and 10)

- Remove the metal cover, front panel assembly and rear panel.
  - (1) From the top side of the main body, disconnect the card wire from the connector [CN766](#) on the micon board. (See Fig.9.)

**Reference:**

When connecting the card wire to the connector [CN766](#), fix the card wire with the spacer as before.

- (2) From the forward side of the micon board, disconnect the wire from the connectors ([CN750](#), [CN760](#)) on the micon board. (See Fig.9.)

**Reference:**

When reassembling, fix the wire with the wire holder after connecting the wire to the connector [CN760](#) on the micon board as before. (See Fig.9.)

- (3) From the right side of the main body, remove the three screws **K** attaching the micon board. (See Fig.10.)
- (4) Disconnect the connectors ([CN761](#), [CN762](#)) on the micon board toward this side. (See Fig.10.)
- (5) From the forward side of the micon board, disconnect the card wire from the connectors [CN765](#). (See Fig.10.)

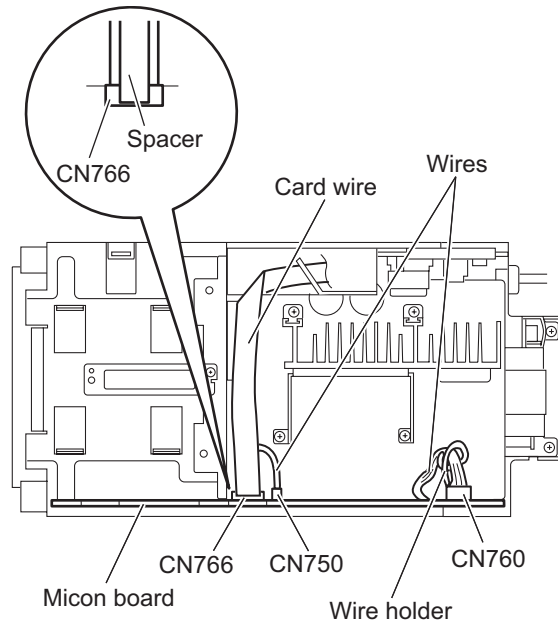


Fig.9

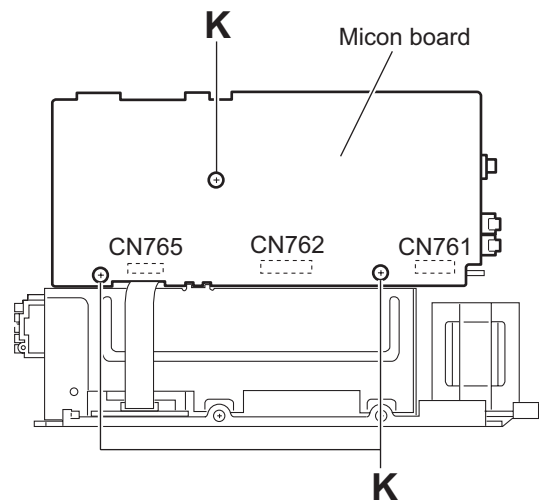


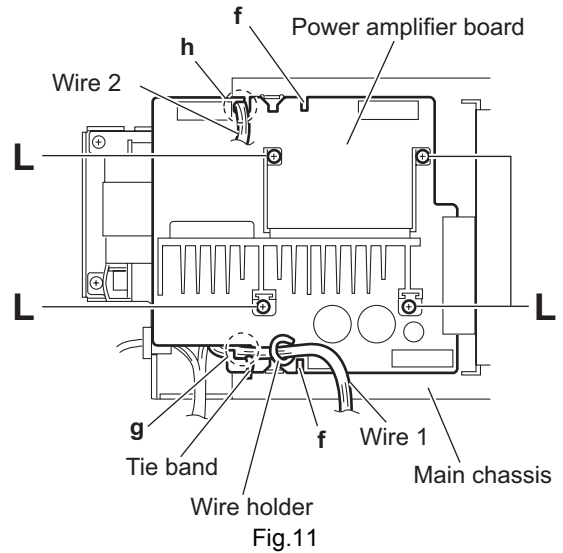
Fig.10

**3.1.7 Removing the power amplifier board**  
(See Fig.11)

- Remove the metal cover, front panel assembly, rear panel, power supply board and micon board.
- (1) From the top side of the main body, remove the wire holder and tie band fixing the wire 1.
- (2) Remove the four screws **L** attaching the power amplifier board.

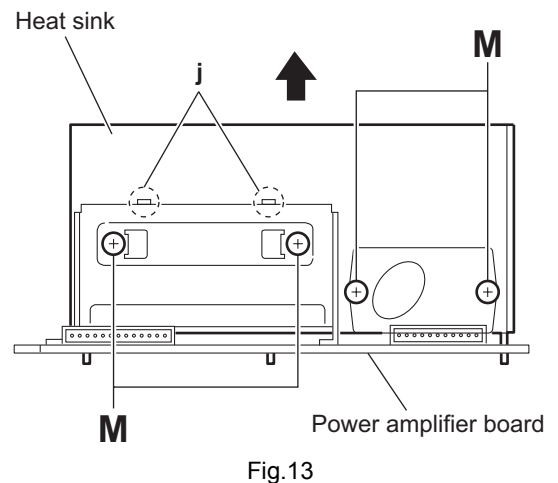
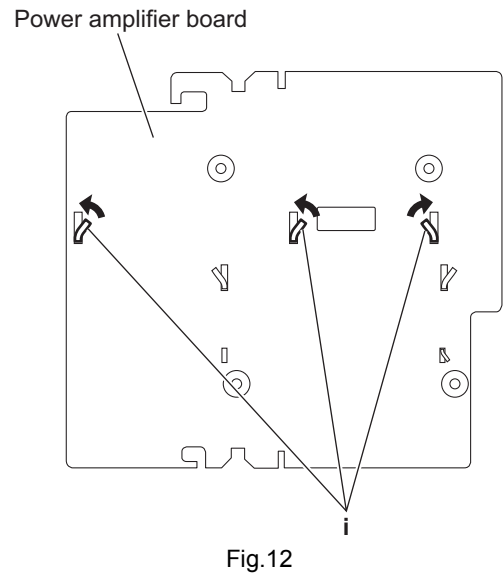
**Reference:**

- When attaching the power amplifier board, align the sections **f** of the main chassis in the slots of the main amplifier board.
- After attaching the power amplifier board, pass the wire 1 through the section **g** of the power amplifier board.
- When reassembling, fix the wire 1 with the wire holder and new tie band as before.
- When reassembling, pass the wire 2 through the section **h** of the power amplifier board.



**3.1.8 Removing the heat sink**  
(See Figs.12 and 13)

- Remove the metal cover, front panel assembly, rear panel, power supply board, micon board and power amplifier board.
- (1) From the reverse side of the power amplifier board, bend the claws **i** of the heat sink in the direction of the arrow. (See Fig.12.)
- (2) From the forward side of the power amplifier board, remove the four screws **M** attaching the heat sink. (See Fig.13.)
- (3) Disengage the joints **j** and remove the heat sink in the direction of the arrow. (See Fig.13.)



### 3.1.9 Removing the fan (See Fig.14)

- Remove the metal cover, front panel assembly, rear panel, power supply board, micon board and power amplifier board.
  - From the back side of the main body, remove the wire holder fixing the wire.

**Reference:**

After attaching the fan, fix the wire with the wire holder as before.

- Remove the two screws **N** attaching the fan.

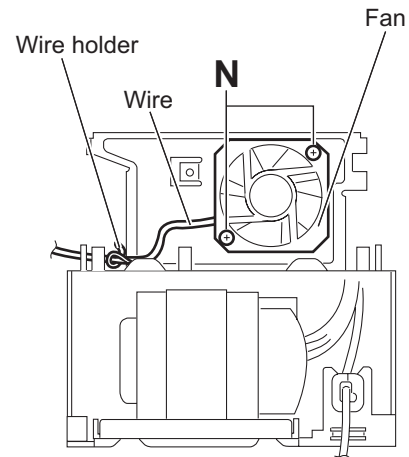


Fig.14

### 3.1.10 Removing the power transformer (See Fig.15)

- Remove the metal cover, front panel assembly, rear panel, power supply board, micon board and power amplifier board.
  - From the top side of the main body, remove the wire holders fixing the wire.
  - Remove the tie band.
  - Remove the four screws **P** attaching the power transformer and take out the power transformer from the main body.

**Reference:**

After attaching the power transformer, fix the wires with the wire holders and new tie band as before.

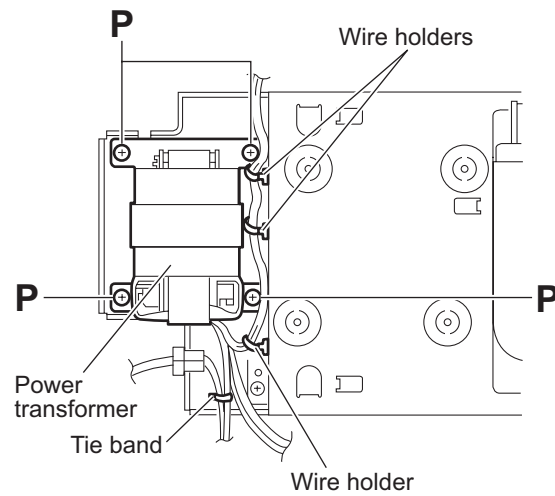


Fig.15

**3.1.11 Removing the CD changer mechanism assembly  
(See Figs.16 to 19.)**

- Remove the metal cover and front panel assembly.
  - (1) From the right side of the main body, disconnect the card wire from the connector **CN651** on the CD servo control board. (See Fig.16.)
  - (2) From the bottom side of the main body, remove the two screws **Q** attaching the CD bracket (F) to the bottom chassis. (See Fig.17.)

**Reference:**

When attaching the CD bracket (F), align the projections **k** of the bottom chassis in the holes of the CD bracket (F). (See Fig.17.)

- (3) From the front side of the main body, remove the two screws **R** attaching the CD bracket (F) to the main chassis.

**Reference:**

When attaching the CD bracket (F), align the projection **m** of the main chassis in the holes of the CD bracket (F). (See Fig.17.)

- (4) From the top side of the main body, remove the two screws **S** attaching the CD changer mechanism assembly. (See Fig.18.)

**Reference:**

Align the projections **n** on the bottom chassis in the holes of the CD changer mechanism assembly before attaching the screws **S**. (See Fig.18.)

- (5) Take out the CD changer mechanism assembly in the direction of the arrow. (See Fig.16.)

**Note:**

When take out the CD changer mechanism assembly, be careful not to damage the several parts on the CD servo control board. (See Fig.16.)

- (6) From the back side of the CD changer mechanism assembly, remove the two screws **T** attaching the CD bracket (R). (See Fig.19.)

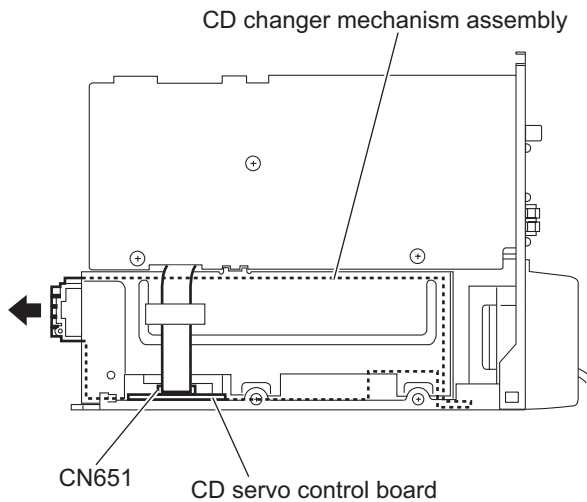


Fig.16

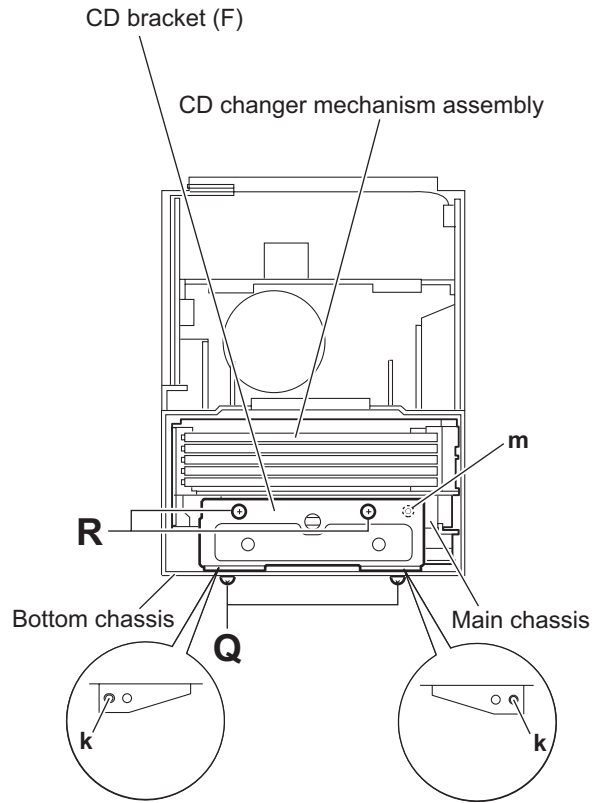


Fig.17

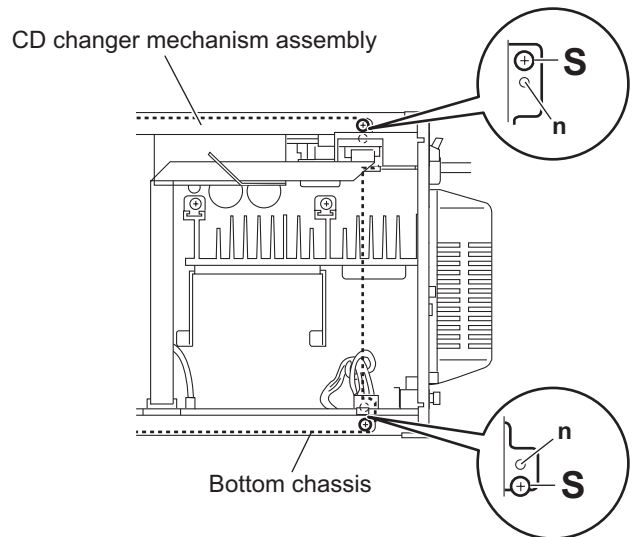


Fig.18

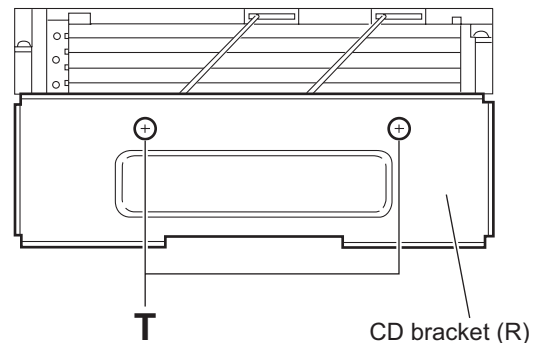


Fig.19

### 3.2 Front panel assembly

- Remove the metal cover and front panel assembly.

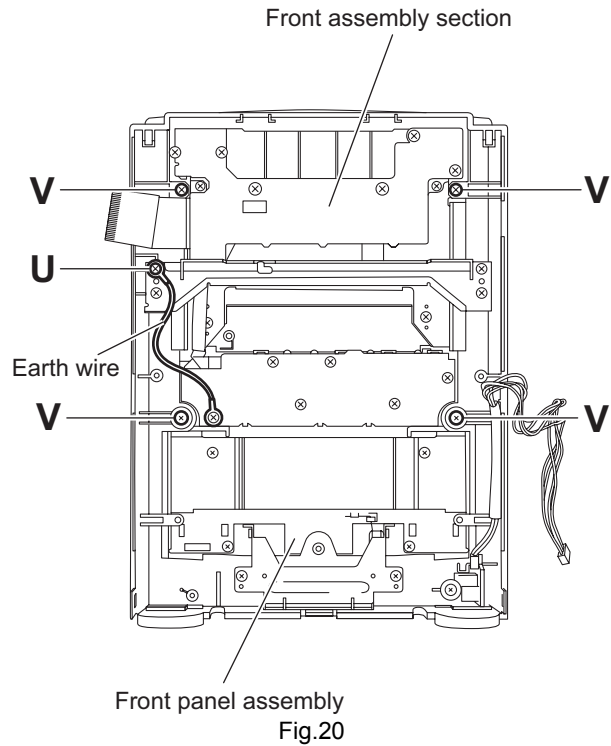
#### 3.2.1 Removing the front assembly section (See Fig.20)

- (1) From the inside of the front panel assembly, remove the screw **U** attaching the earth wire.

**Reference:**

When attaching the screw **U**, attach the earth wire with it.

- (2) Remove the four screws **V** attaching the front assembly section.
- (3) Take out the front assembly section from the main body.



#### 3.2.2 Removing the switch board (See Figs.21 and 22)

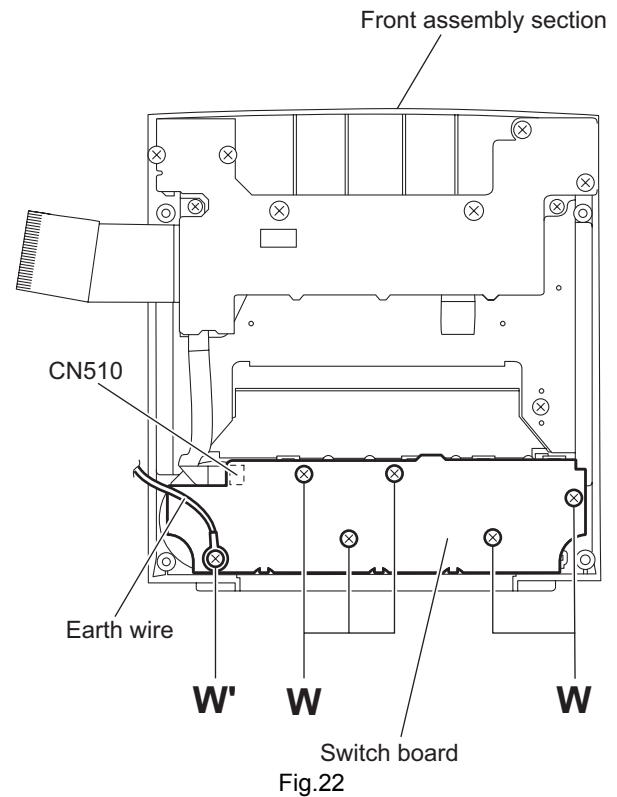
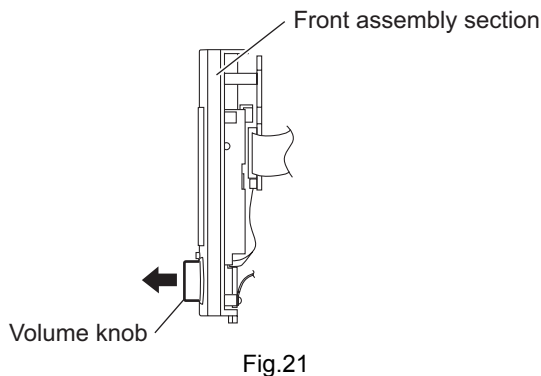
- Remove the front assembly section.

- (1) From the front side the front assembly section, pull out the volume knob in the direction of the arrow. (See Fig.21.)
- (2) From the inside of the front assembly section, remove the five screws **W** and screw **W'** attaching the switch board. (See Fig.22.)
- (3) Disconnect the card wire from the connector **CN510** on the switch board. (See Fig.22.)

**Reference:**

When attaching the screw **W'**, attach the earth wire with it. (See Fig.22.)

- (4) Take out the switch board from the front assembly section. (See Fig.22.)



### 3.2.3 Removing the back light board (See Figs.23)

- Remove the front assembly section.
  - From the inside of the front assembly section, remove the six screws **X** attaching the back light board.
  - Take out the back light board from the front assembly section and disconnect the card wires from the connectors ([CN551](#), [CN552](#)) on the back light board.

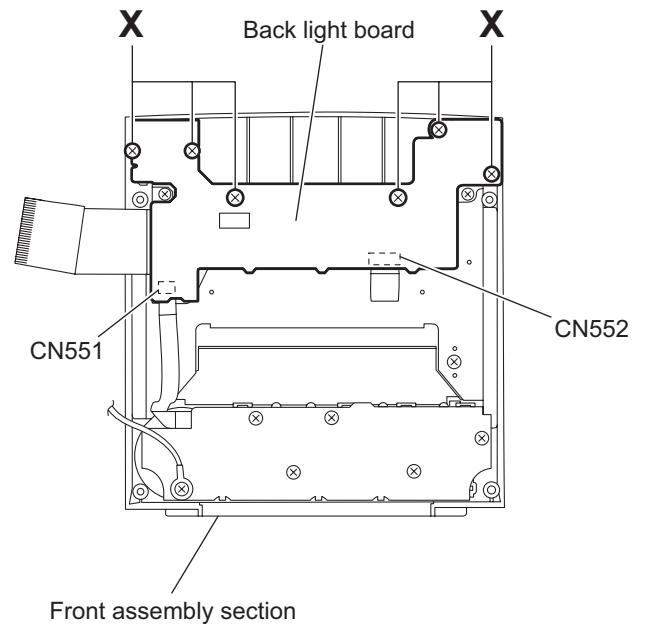


Fig.23

### 3.2.4 Removing the FL board (See Figs.24 and 25)

- Remove the front assembly section and back light board.
  - From the inside of the front assembly section, remove the four screws **Y** attaching the lens holder. (See Fig.24.)
  - Take out the lens holder with the LED lens and cover sheet. (See Fig.24.)
  - Take out the FL board from the front assembly section. (See Fig.25.)

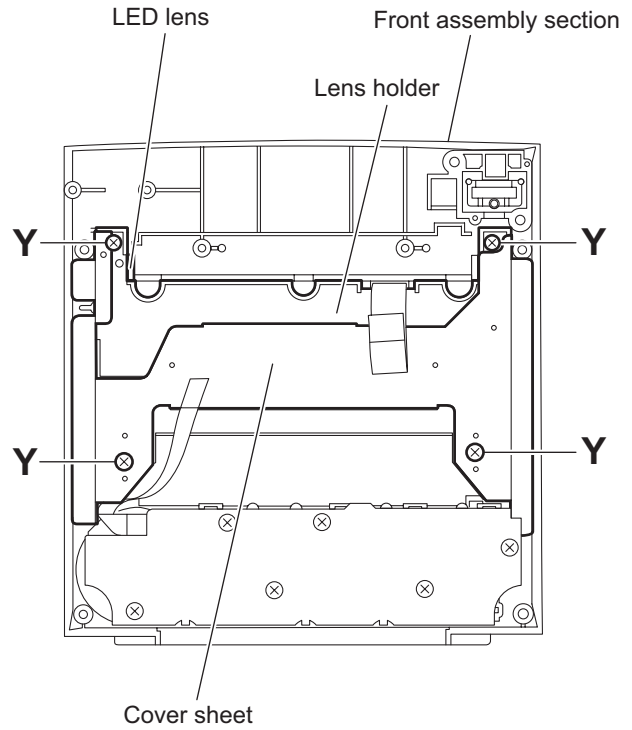


Fig.24

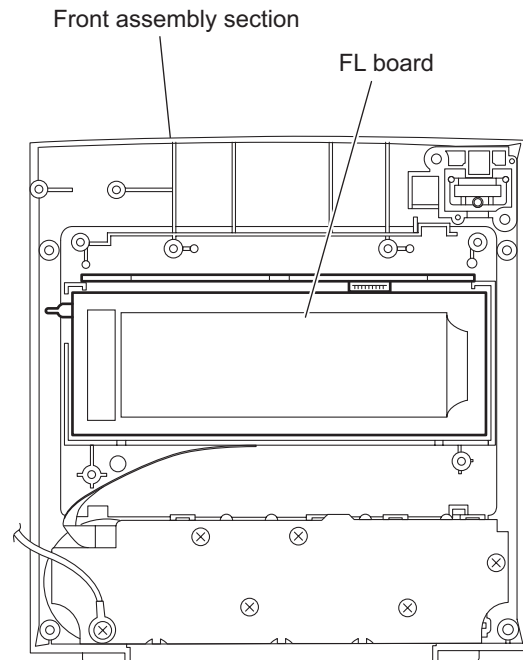


Fig.25

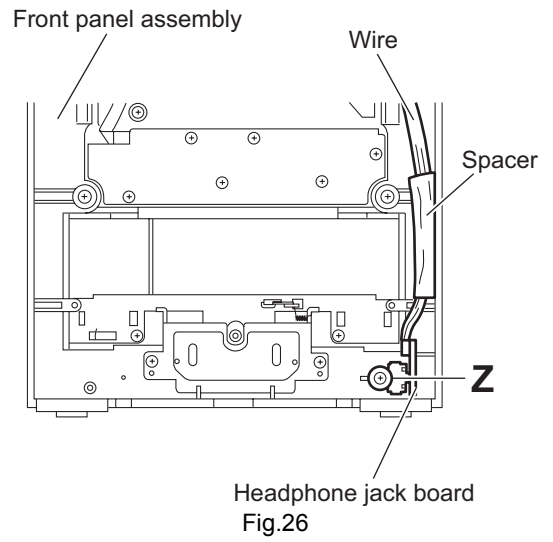


### 3.2.5 Removing the headphone jack board (See Fig.26)

- (1) From the inside of the front panel assembly, remove the screw **Z** attaching the headphone jack board.
- (2) Take out the headphone jack board from the front panel assembly.

#### Reference:

After attaching the headphone jack board, fix the wire with the spacer as before.



### 3.3 CD changer mechanism

#### 3.3.1 Removing the tray assembly

(See Fig.1 ~ 5)

- (1) Remove the two screws **A** from the top cover and release the two joints **a** on both sides of the body.
- (2) Remove the top cover with the two rods attached to the top cover and lifter assembly respectively.
- (3) Remove the open det lever on the left side of the body.
- (4) Push part **b** of the slide (R) assembly on the right side of the body to unlock the tray assembly. Draw out the trays toward the front.

**Attention:**

The tray can be locked if all tray assemblies are attached.

- (5) From top of the body, move the stopper tab **c** in the direction of the arrow and release. Pull out the tray assemblies from the body.

**Caution:**

Remove the tray assembly from top tray 5 in order.

**Attention:**

When reattaching the sub tray of the tray assembly, or when removing the CD remaining inside, refer to another section.

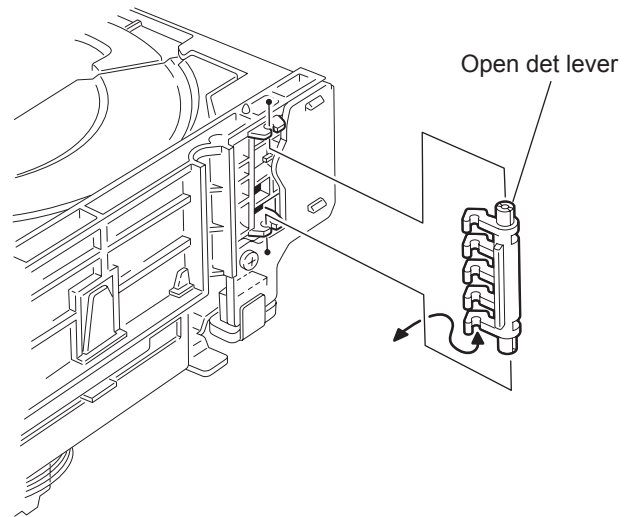


Fig.3

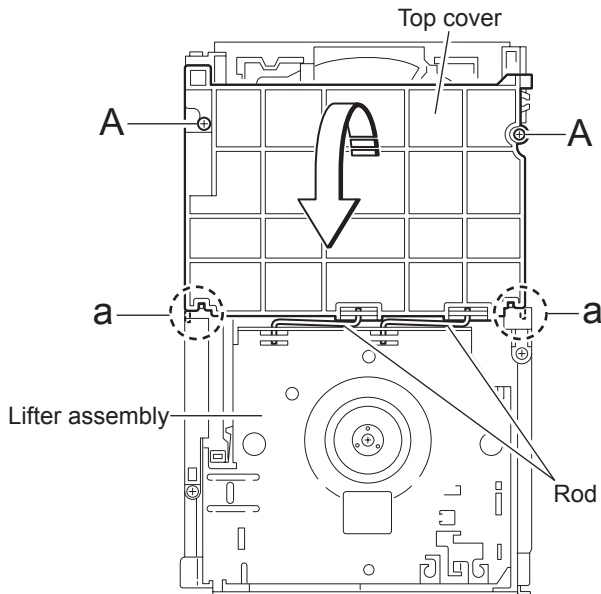


Fig.1

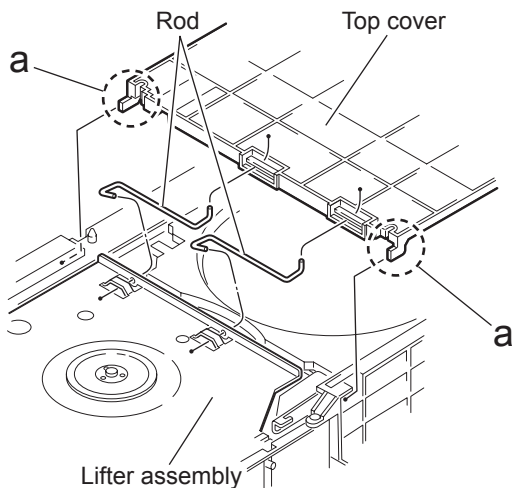


Fig.2

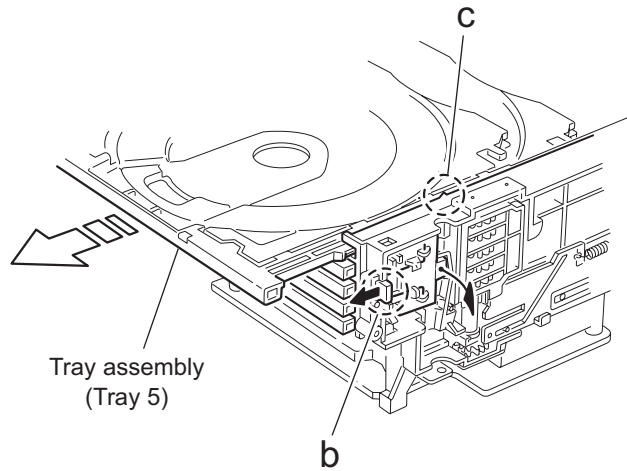


Fig.4

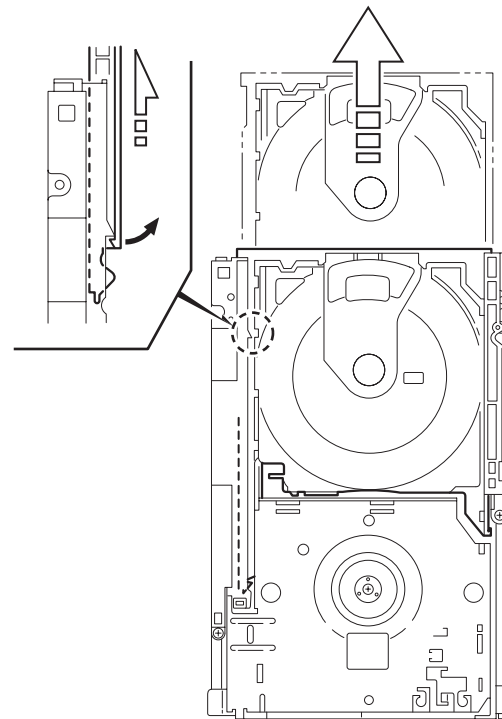


Fig.5

### 3.3.2 Removing the servo control board (See Fig.6 ~ 9)

**Caution:**

Solder the short-circuit point on the pickup before disconnecting the card wire extending from the pickup. If you do not follow this instruction, the pickup may be damaged.

- (1) Disconnect the card wire from connector **CN251** and each wire from connector **CN252**, **CN253** and **CN602** on the servo control board on the bottom of the body. Disconnect the wire from joint **d**.
- (2) Solder the short round point on the flexible board of the pickup.
- (3) Remove the four screws **B** and turn the servo control board as shown in the figure.
- (4) Disconnect the card wire from connector **CN601** on the servo control board. **Caution:** Unsolder the short-circuit point after reassembling.

**Caution:**

When reassembling, twist the wires to be connected to connector **CN252** and **CN253** twice.

### 3.3.3 Removing the switch board (See Fig.9)

- (1) Disconnect the wires from connector **CN252** and **CN253** on the servo control board.
- (2) Remove the screw **C** attaching the switch board.
- (3) Release the wires from the slot **e** of the switch board.

**Caution:**

When reassembling, let the wires through the slot **e** of the switch board and twist them twice.

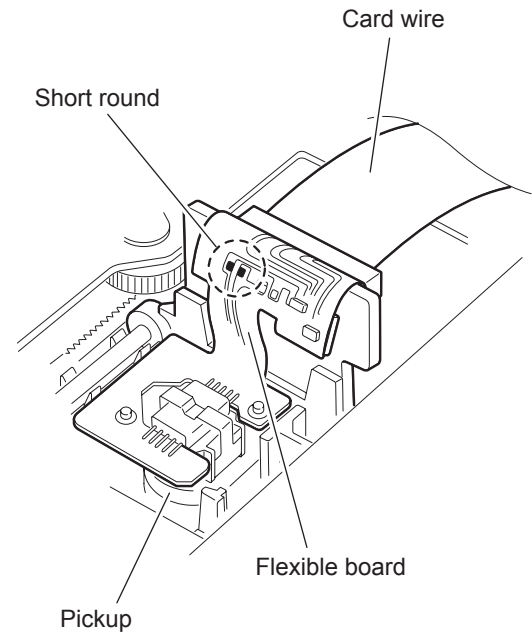


Fig.7

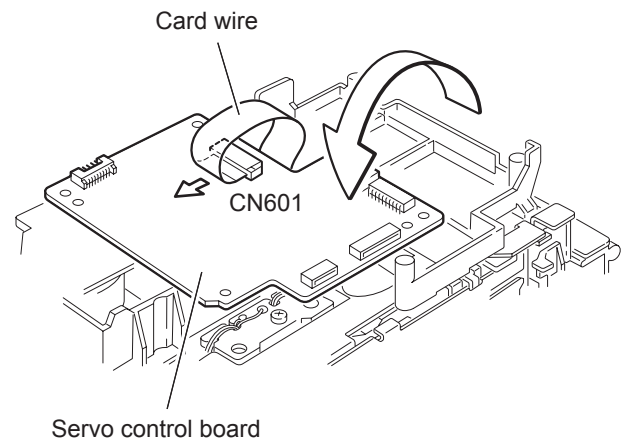


Fig.8

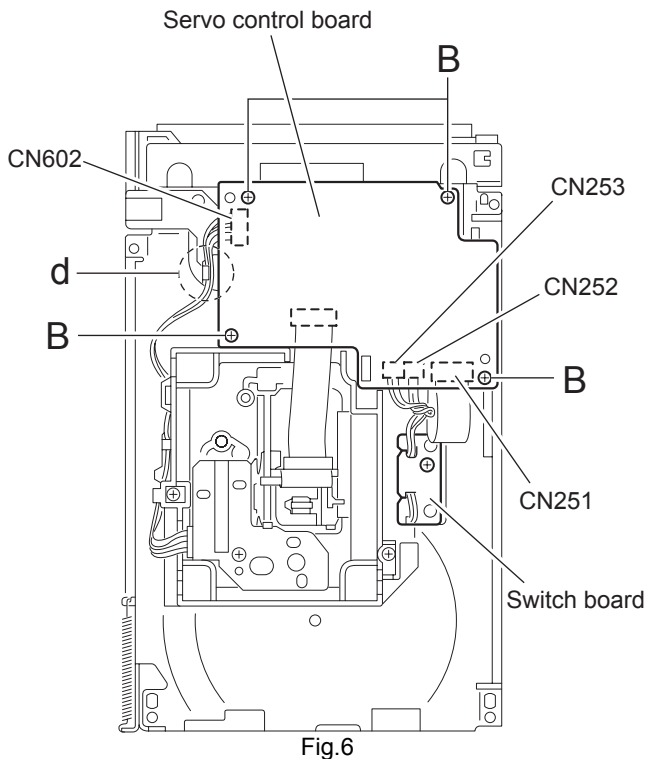


Fig.6

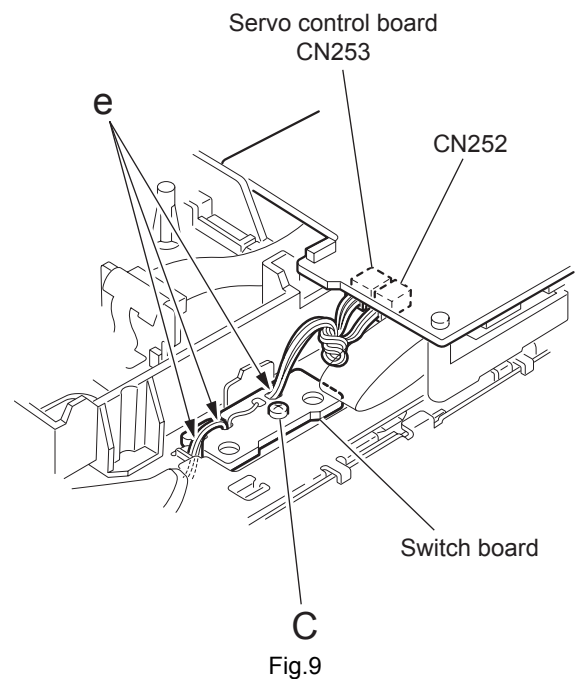


Fig.9

### 3.3.4 Removing the motor board (See Fig.10 , 11)

- Prior to performing the following procedure, remove the servo control board.

(1) Turn over the body and remove the two screws **D**. Move the CD module bkt. in the direction of the arrow to release two joints **f**.

(2) Unsolder the four soldered parts on the motor of the motor board.

**Caution:**

If removing the motor board with the motor, you should remove the screws attaching the motor from top of the body(Refer to another section).

(3) Remove the two screws **E** attaching the motor board.

(4) Remove the spacer fixing the motor board and tray switch board, and disconnect connector **CN2** on the motor board.

(5) Disconnect the card wire from connector **CN1** on the motor board.

**Caution:**

When reconnecting the card wire, let the card wire through the slot **g** of the motor board and attach it to the bottom of the body using a double tape.

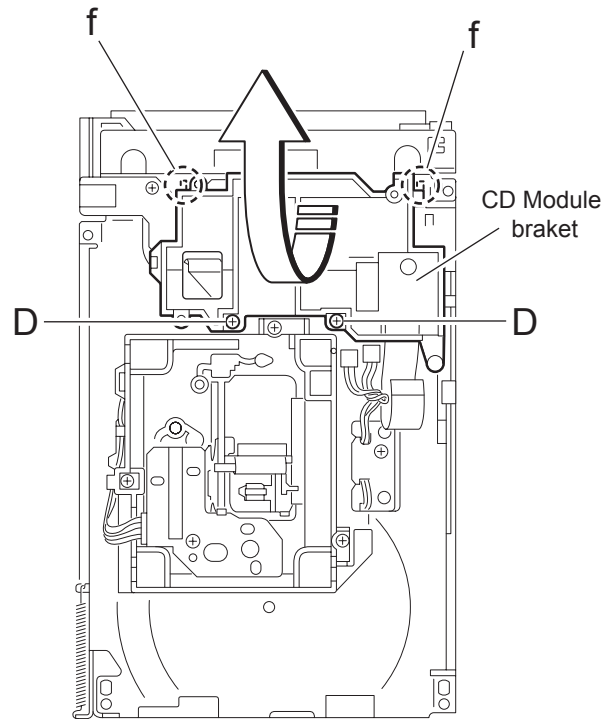


Fig.10

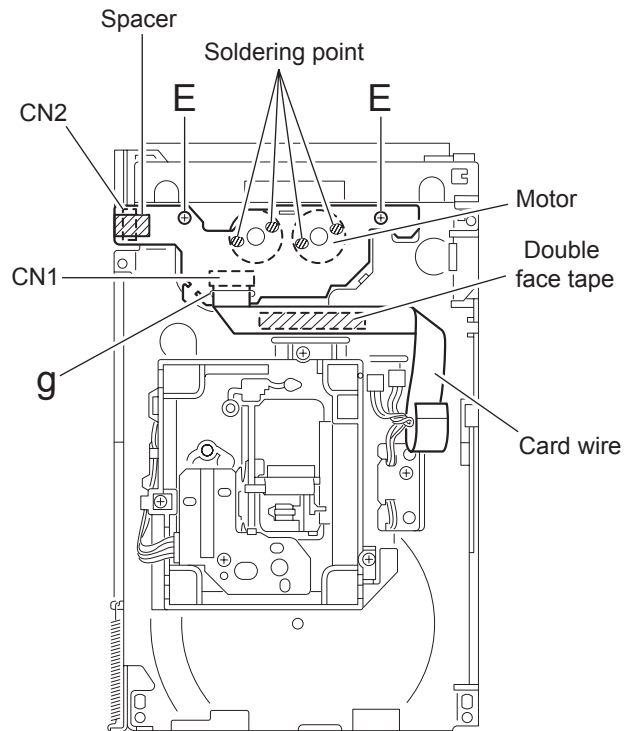
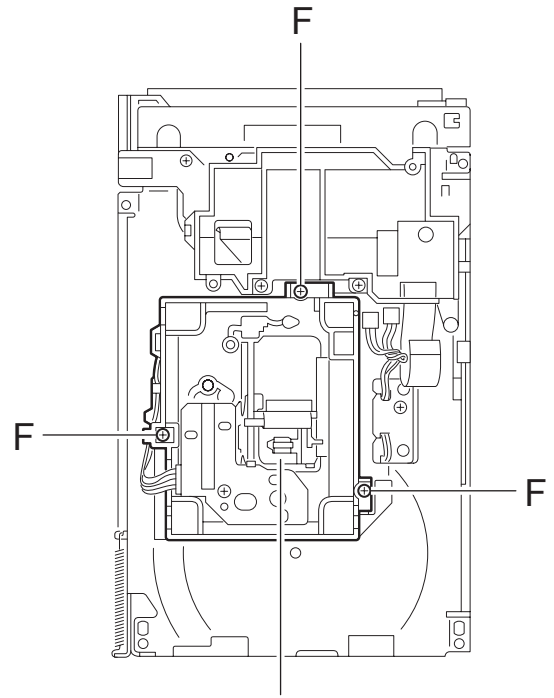


Fig.11

### 3.3.5 Removing the CD tramecha assembly (See Fig.12)

- Prior to performing the following procedure, remove the servo control board.
  - (1) Turn over the body and remove the three screws **F** attaching the tramecha.



CD Tramecha assembly  
Fig.12

### 3.3.6 Removing the pickup (See Fig.13 , 14)

- Prior to performing the following procedure, remove the servo control board and CD tramecha assembly.
  - (1) From top of the CD tramecha assembly, turn the cam gear in the direction of the arrow to move the pickup assembly outward.
  - (2) Push down the stopper **h** in the direction of the arrow and pull out the shaft.
  - (3) Release the joint **i** of the pickup assembly and mecha base.
  - (4) Remove the screw **G** attaching the CD rack. Release the four tabs **j** at the bottom of the CD rack.

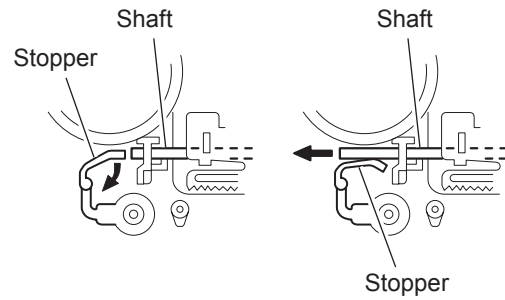
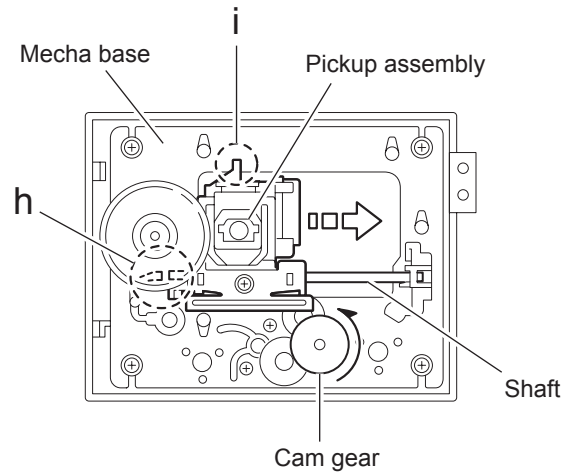


Fig.13

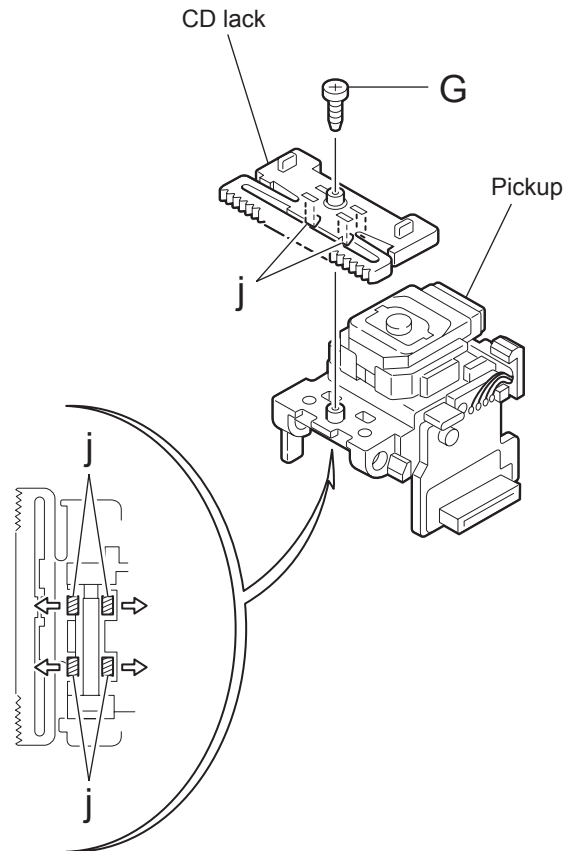


Fig.14

### 3.3.7 Removing the side (L)/ tray switch board (See Fig.15 ~ 17)

- Prior to performing the following procedure, remove the tray assembly.
  - (1) Remove the two screws **H** attaching the side (L) on top of the body.
  - (2) From the side of the body, remove the spacer fixing the tray switch board and motor board. Disconnect connector **CN3** on the tray switch board and detach the side (L) upward.
  - (3) Remove the screw **J** attaching the tray switch board.
  - (4) Push the joint tab **k** of the side (L) in the direction of the arrow and remove the tray switch board outward, then release joint **I**.

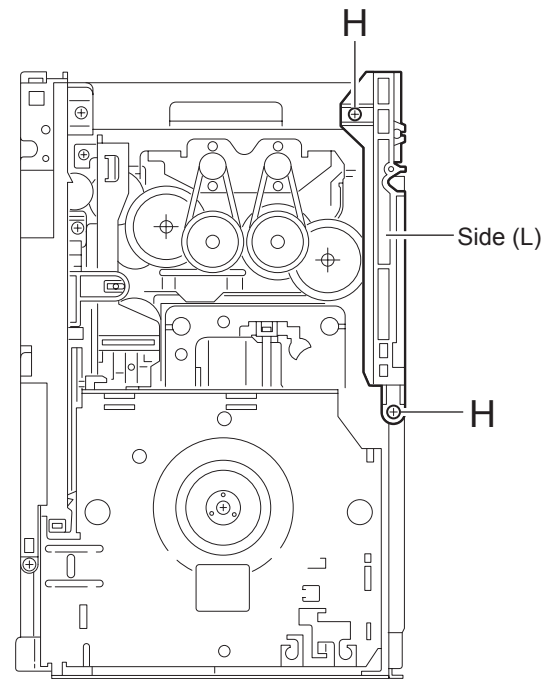


Fig.15

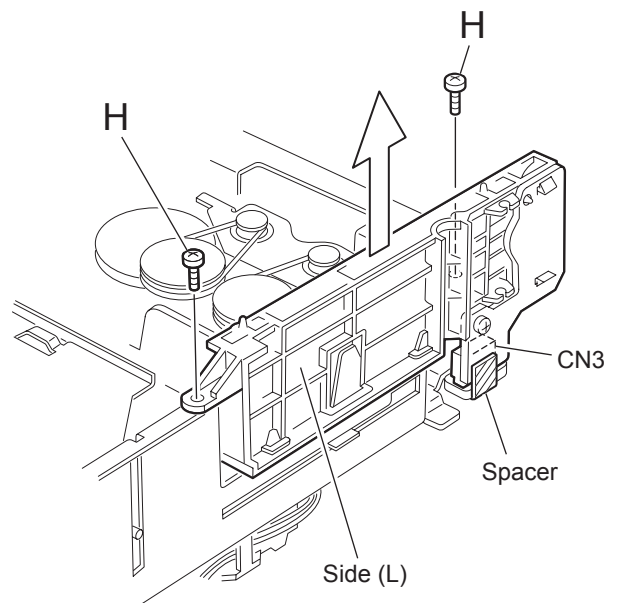


Fig.16

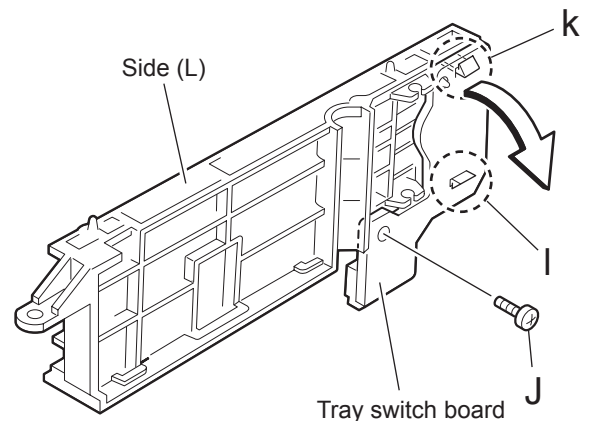


Fig.17

### 3.3.8 Removing the side (R) assembly (See Fig.18 ~ 22)

- Prior to performing the following procedure, remove the tray assembly.
  - (1) Push and release the two tabs **m** of the gear cover through the two notches inside the side (R) assembly. Remove the gear cover outward.
  - (2) Remove the spring attached to part **n** of the hook on the right side of the body.
  - (3) From top of the body, turn the 1 gear clockwise to move the elevator cam rearward. Move the two slots **o** and joint **p** of the elevator cam as shown in Fig.21 and remove the elevator cam outward.
  - (4) Remove the three screws **K** and detach the side (R) upward.

#### Caution:

When reattaching the side (R) assembly, make sure to fit the shaft (part **q**) into the slot of the select lever.

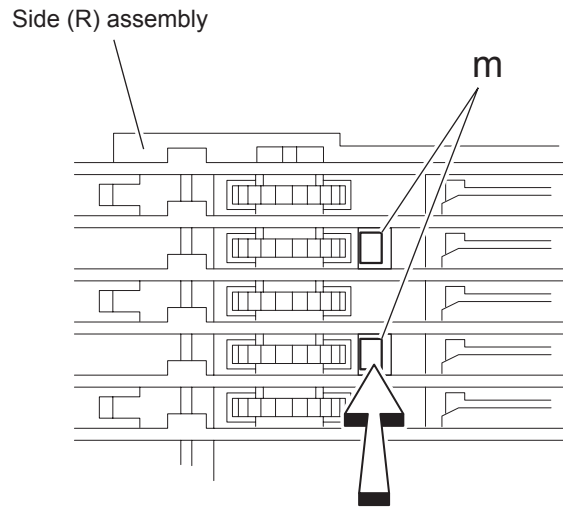


Fig.20

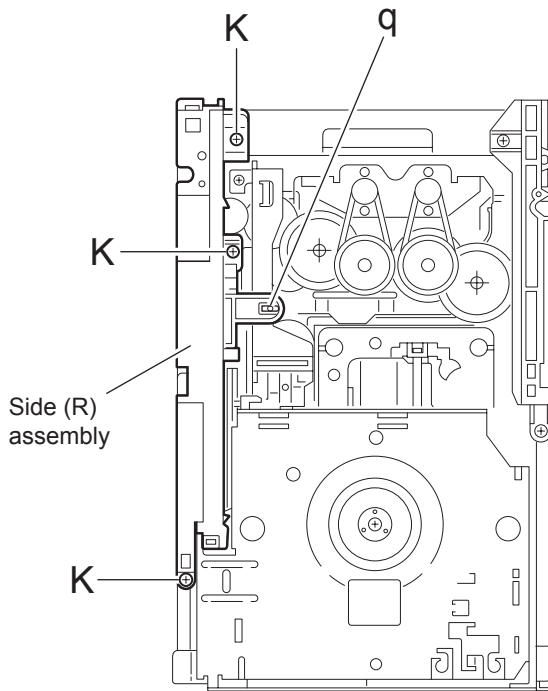


Fig.18

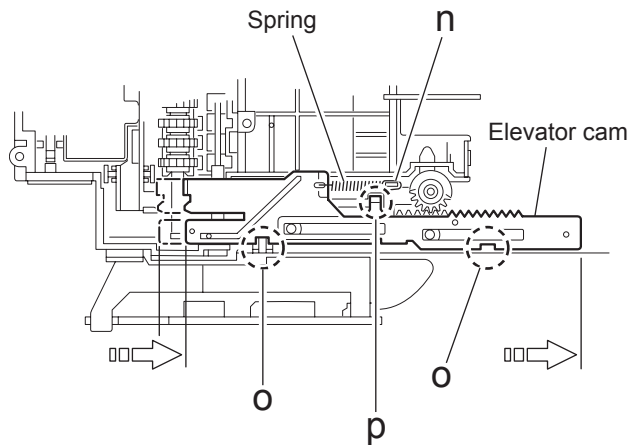


Fig.21

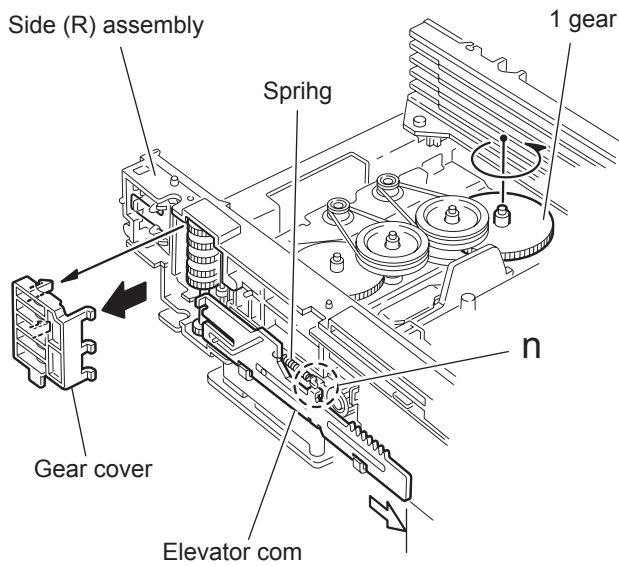


Fig.19

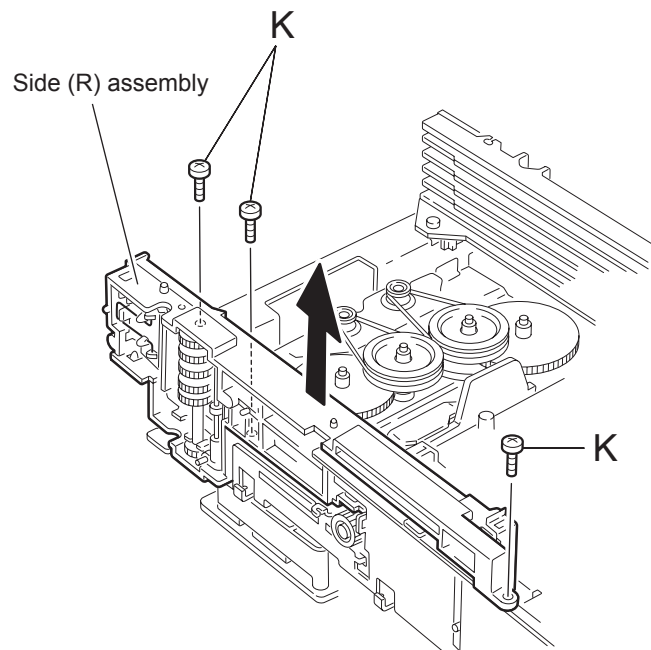


Fig.22



### 3.3.9 Removing the lifter assembly (See Fig.23 ~ 27)

- Prior to performing the following procedure, remove the tray assembly and side (L)/ side (R) assembly.
  - (1) From top of the body, turn the 1 gear clockwise to move the lifter assembly upward as shown in Fig.24.
  - (2) From top of the body, turn the 2 gear clockwise to move the hook toward the front until it stops.
  - (3) Move the hook stopper in the direction of the arrow while pushing the tab r of the hook stopper to unlock it. Release four joints s to detach from the rack holder. Release the rod from part t.
  - (4) Turn the 1 gear clockwise again to move the lifter assembly upward.
  - (5) Remove the lifter assembly from the body upward at position u where the four pins on the right and left sides of the lifter assembly fit to the notches of the v.

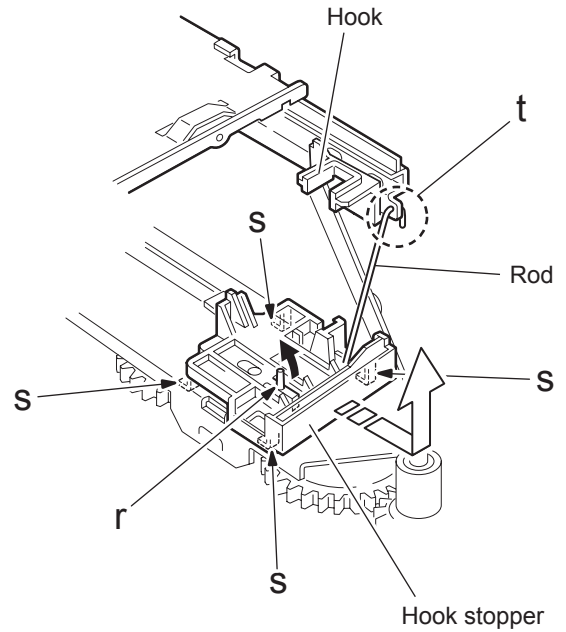


Fig.25

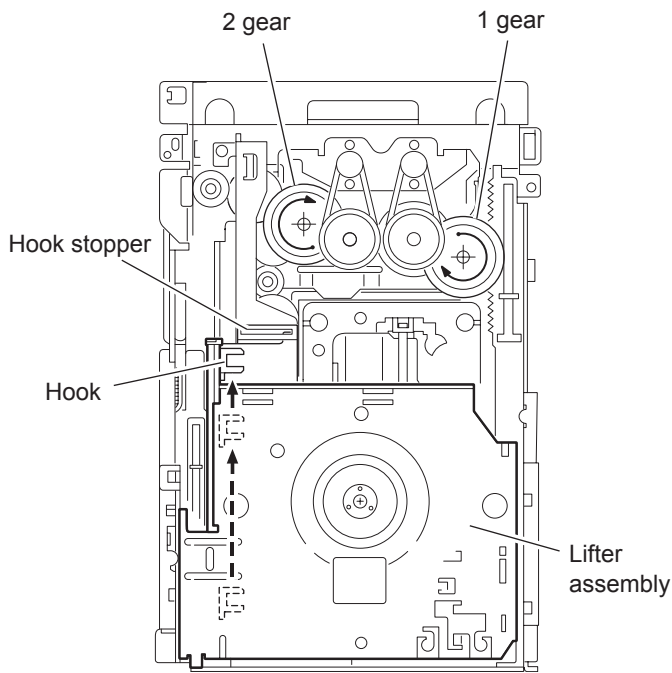


Fig.23

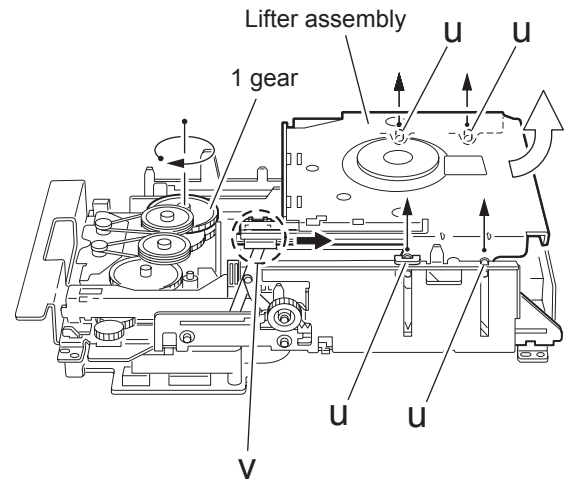


Fig.26

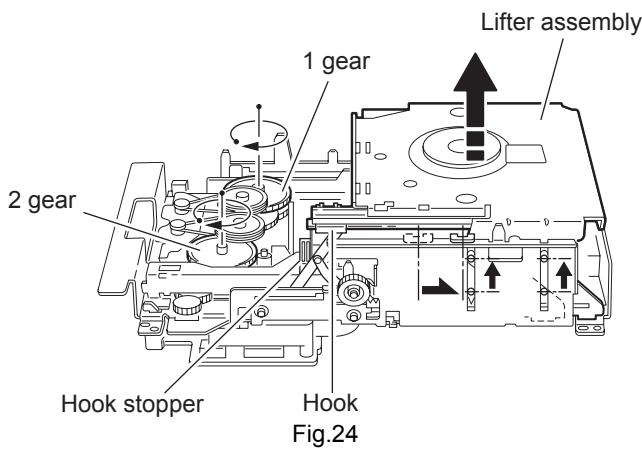


Fig.24

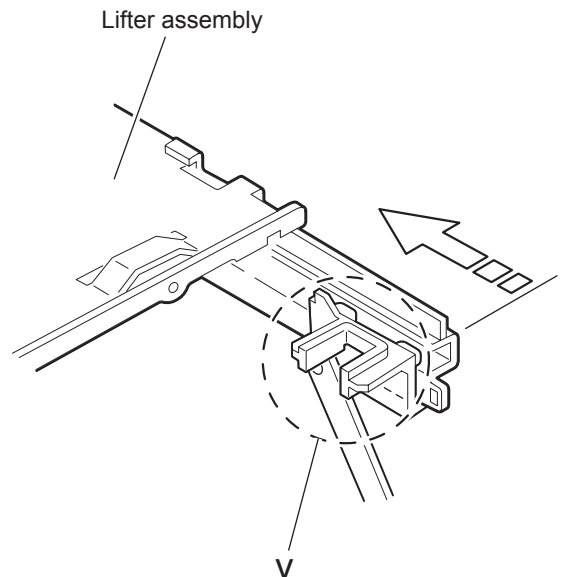


Fig.27

### 3.3.10 Removing the rack holder assembly/ sensor assembly (See Fig.28 ~ 33)

- Prior to performing the following procedure, remove the tray assembly, side (L)/ side (R) assembly, lifter assembly.

#### Attention:

If the slide gear of the body places at joint **w** of the rack holder assembly, turn the 1 gear counterclockwise to move the slide gear toward the front. Remove the rack holder assembly.

- (1) Remove the three screws **J** attaching the rack holder assembly. Release joint **w** from the notch.

#### Caution:

When reattaching the rack holder assembly, do not nip the wire **x** extending from the sensor assembly.

- (2) Remove the two screws **M** attaching the sensor assembly.
- (3) Move the sensor assembly in the direction of the arrow to release from the slot at joint **y**.
- (4) Remove the spring attached to the bottom of the sensor assembly from the boss **z** on the sensor slider.
- (5) Remove the screw **N** and **O** attaching the sensor board and SV resistor respectively. If necessary, unsolder the sensor board.

#### Caution:

When reattaching the SV resistor, attach the sensor slider to the sensor bracket and fit the lever on the bottom of the SV resistor into slot **a'** of the sensor slider.

#### Caution:

When reattaching the rack holder assembly, turn the 1 gear clockwise to move the slide gear and slide lever inside the body rearward.

- Let the wire extending from the sensor assembly through notch **x** to the bottom of the body.
- Fit pin **c'** of the slide lever into hole **b'** of the sensor slider on the bottom of the sensor assembly while attaching the spring to the boss **z** of the sensor slider.
- Engage joint **y** of the sensor assembly to the notch of the body.

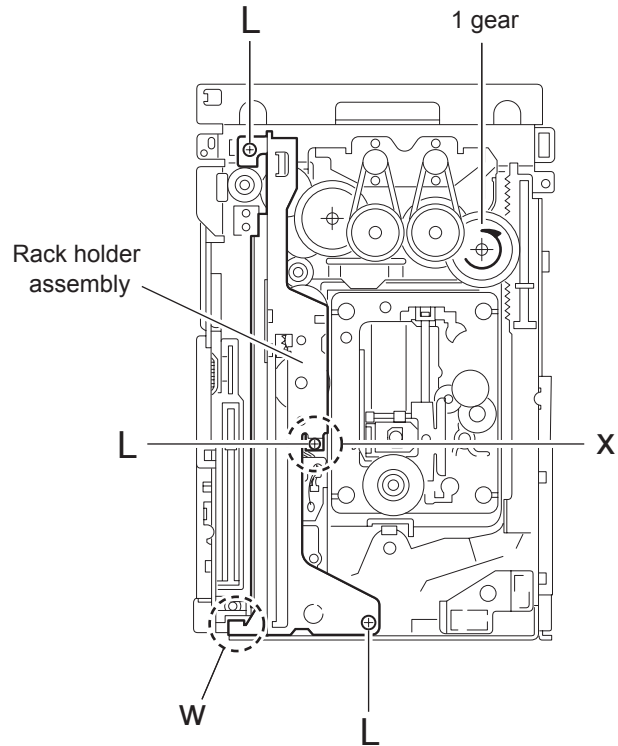


Fig.28

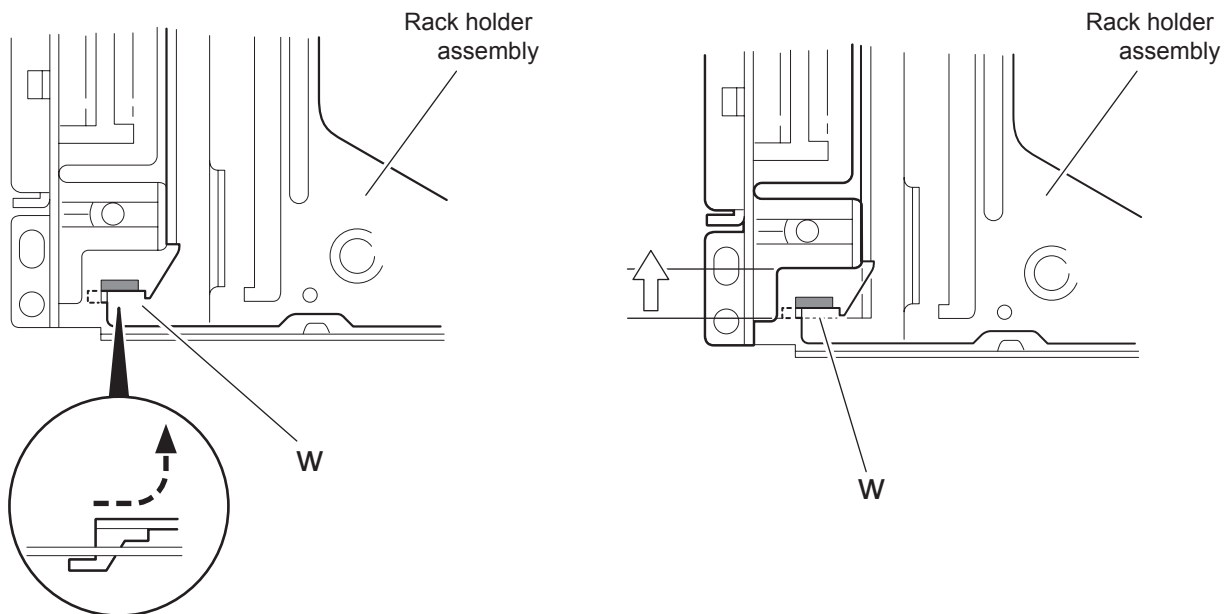
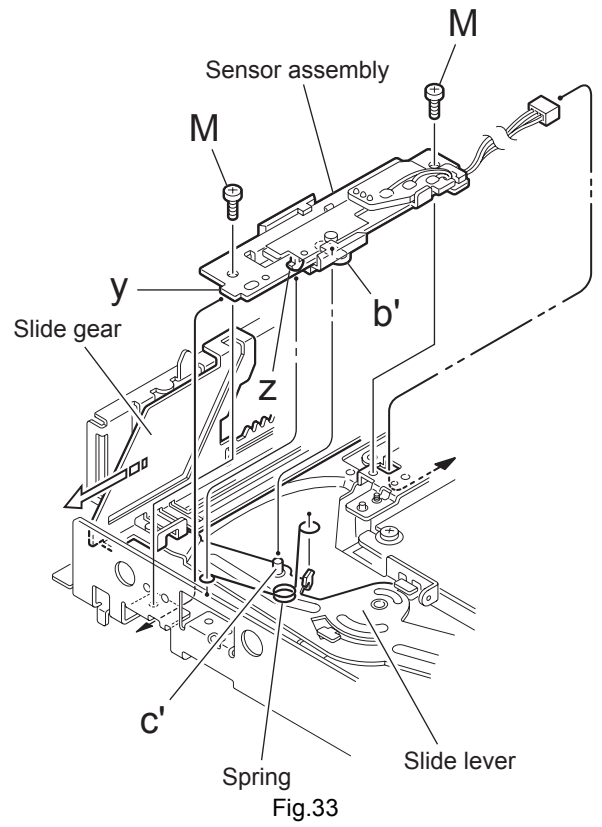
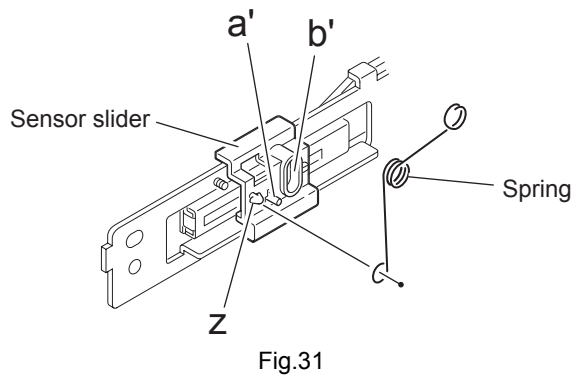
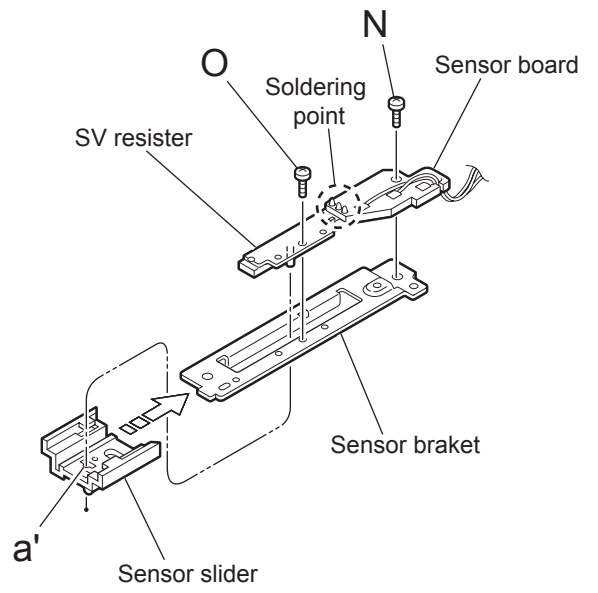
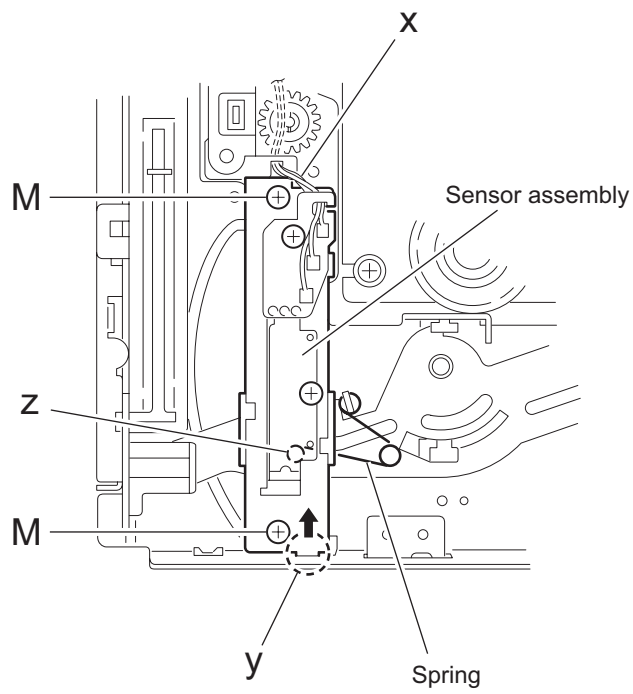


Fig.29



### 3.3.11 Removing the motor (See Fig.34 ,35)

- Prior to performing the following procedure, remove the servo control board and top cover.

**Attention:**

You need not to remove the tray assembly, and in such case, move it.

- (1) Remove the two belts on top of the body.
- (2) Remove the four screws **N** attaching the motor.
- (3) Remove the motor board from the bottom of the body.  
(Refer to the section "Removing the motor board".)

**Attention:**

When removing the motor board with the motor, you need not to unsolder four soldered parts.

**Caution:**

When reattaching the motor, turn the side where the label should be put to the front side.

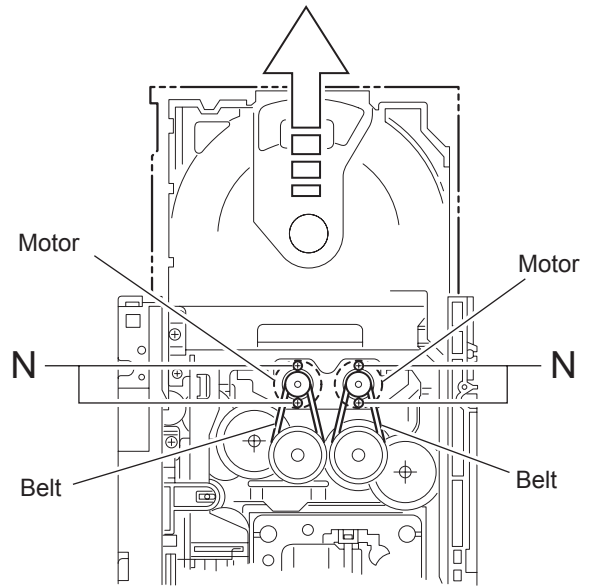


Fig.34

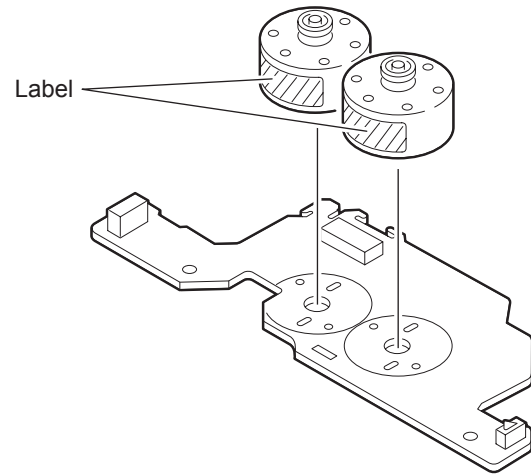


Fig.35

### 3.3.12 Taking out the CD in play mode (See Fig.36 ~ 39)

**Attention:**

Refer to "Removing the tray assembly".

- (1) Remove the top cover upward.
- (2) Unlock the tray assembly and draw out the tray assembly toward the front.
- (3) From top of the body, turn the 1 gear clockwise to move the lifter assembly upward.
- (4) From top of the body, turn the 2 gear clockwise to move the sub tray remaining inside the lifter assembly toward the front, then pull out.
- (5) Take out the CD on the sub tray.
- (6) After clearing away the CD, insert the sub tray into the main tray.

**Caution:**

When reattaching the sub tray, move the tray stopper on the bottom of the main tray in the direction of the arrow to lock the sub tray certainly.

- (7) Push the tray assembly toward the body and reattach.

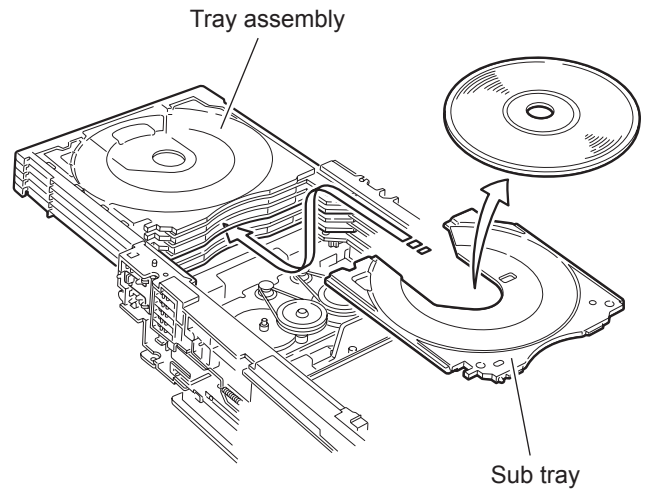


Fig.37

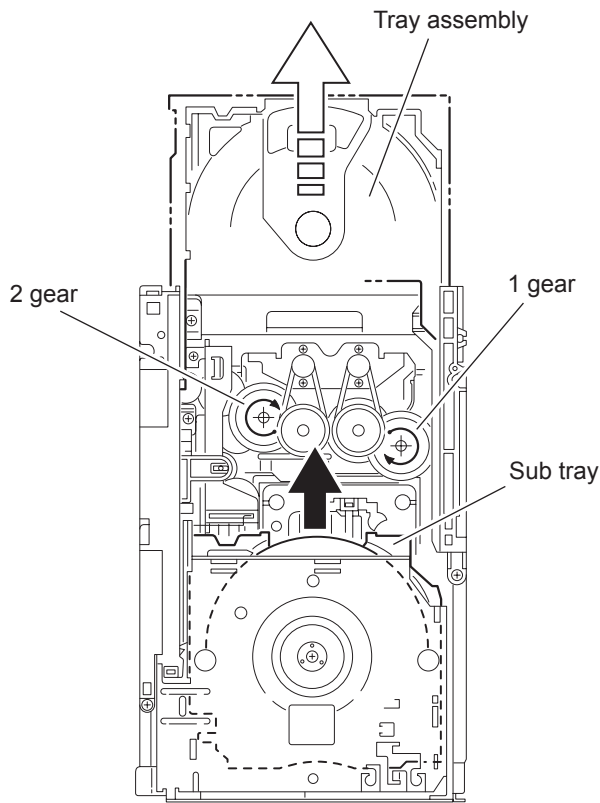


Fig.36

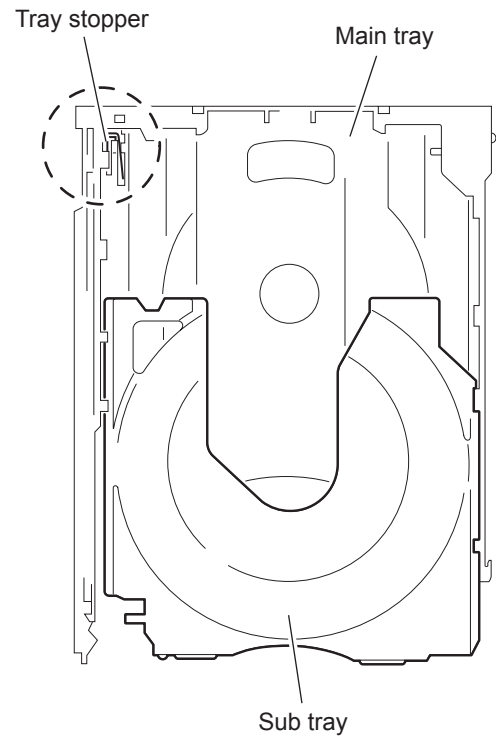


Fig.38

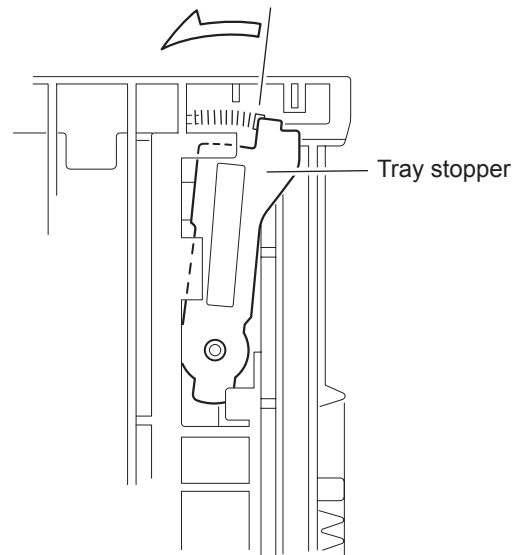


Fig.39

## **SECTION 4 ADJUSTMENT**

This service manual does not describe ADJUSTMENT.

## **SECTION 5 TROUBLESHOOTING**

This service manual does not describe TROUBLESHOOTING.



**JVC**

VICTOR COMPANY OF JAPAN, LIMITED

AV & MULTIMEDIA COMPANY AUDIO/VIDEO SYSTEMS CATEGORY 10-1,1chome,Ohwatari-machi,Maebashi-city,371-8543,Japan

(No.MB205)



Printed in Japan  
WPC



# JVC

# SCHEMATIC DIAGRAMS

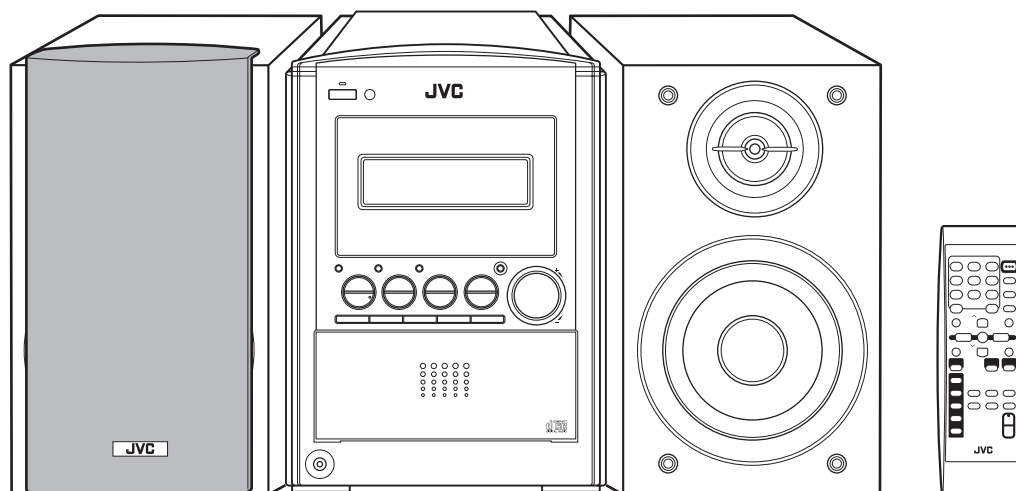
## COMPACT COMPONENT SYSTEM

# FS-S57

CD-ROM No.SML200404

### Area suffix

J ----- U.S.A.  
C ----- Canada



COMPACT  
**disc**  
DIGITAL AUDIO

### Contents

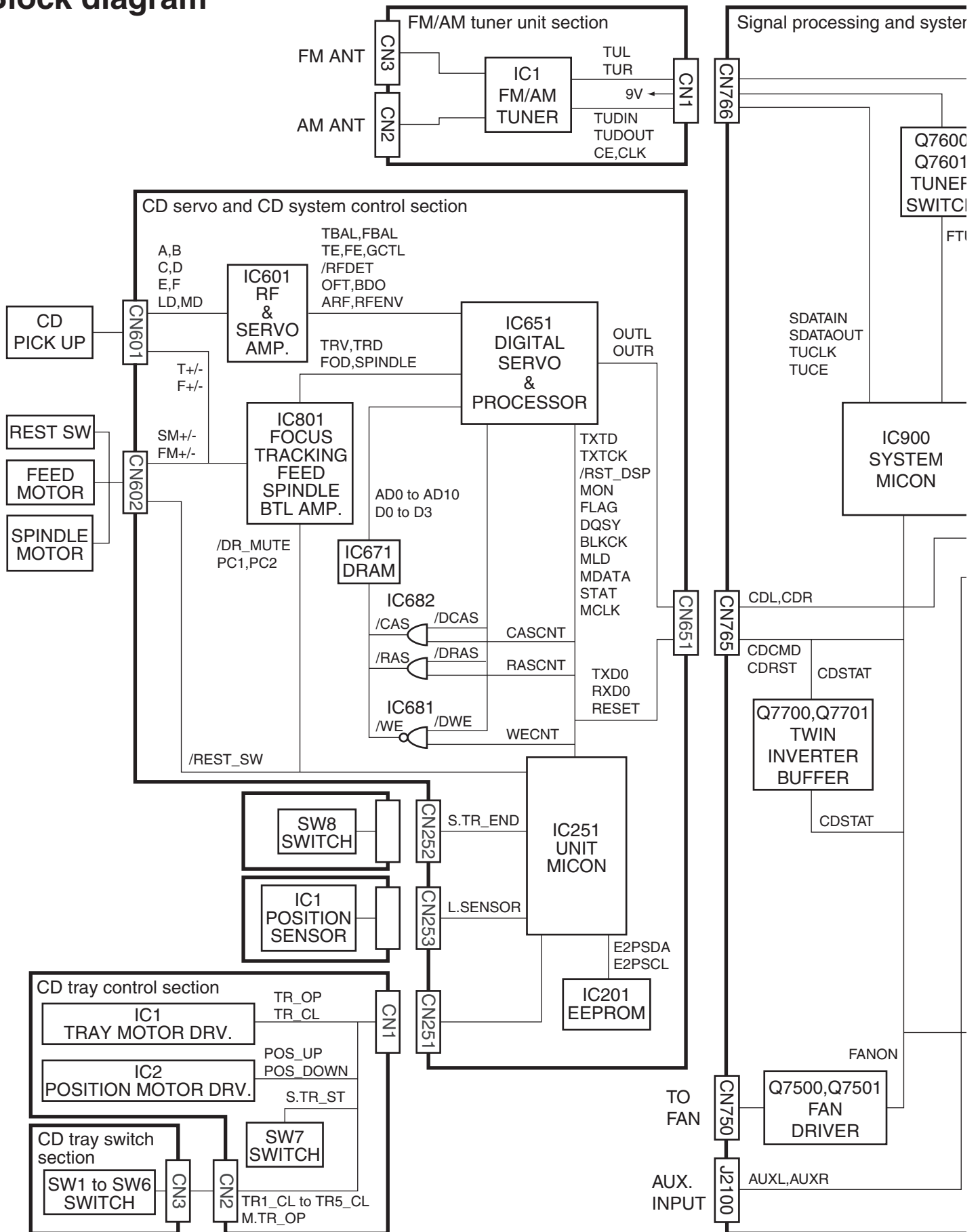
|                                   |            |
|-----------------------------------|------------|
| Block diagram .....               | 2-1        |
| Standard schematic diagrams ..... | 2-3        |
| Printed circuit boards .....      | 2-15 to 20 |

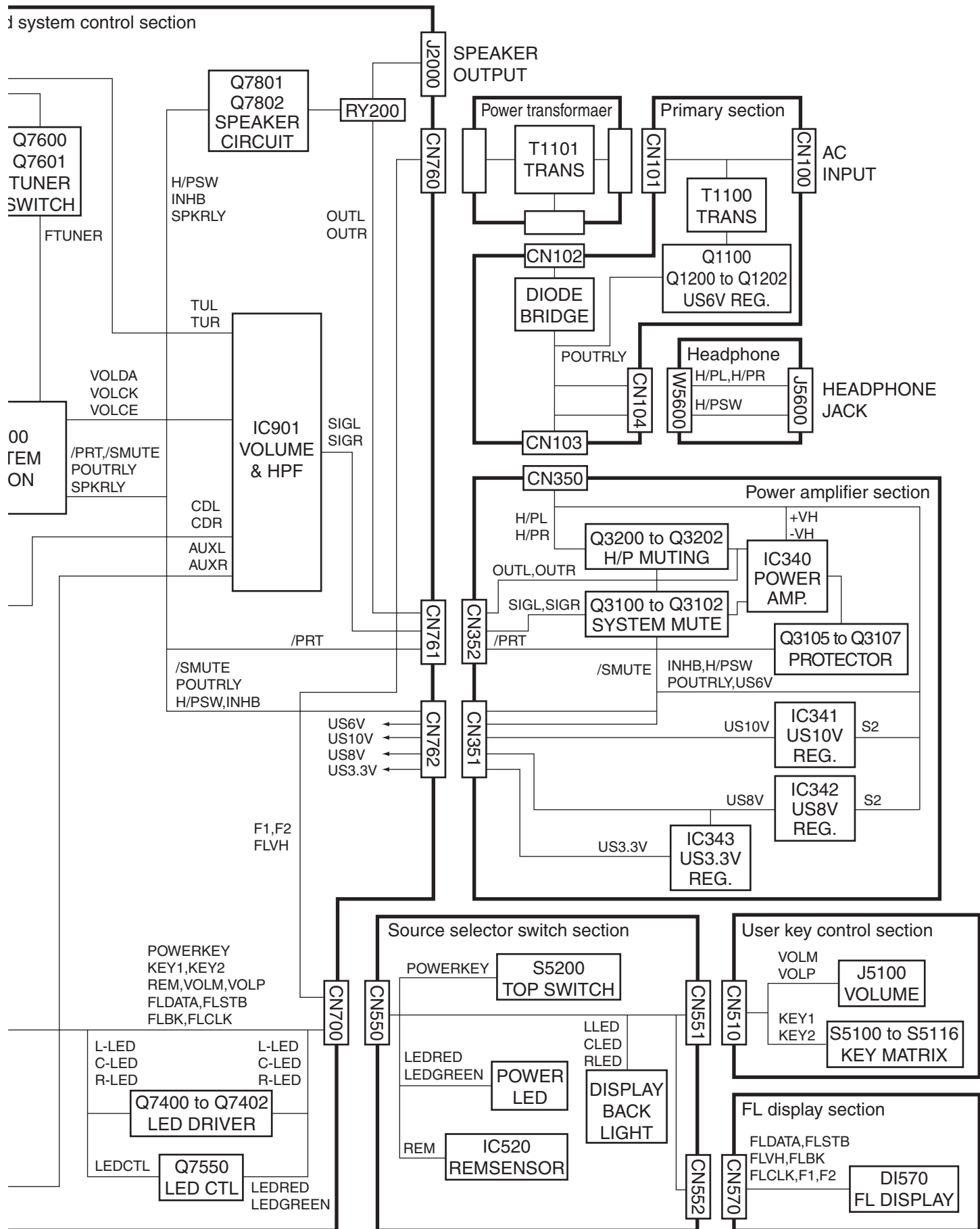
In regard with component parts appearing on the silk-screen printed side (parts side) of the PWB diagrams, the parts that are printed over with black such as the resistor (■), diode (▬) and ICP (●) or identified by the "▲" mark nearby are critical for safety.

(This regulation does not correspond to J and C version.)

< MEMO >

# Block diagram



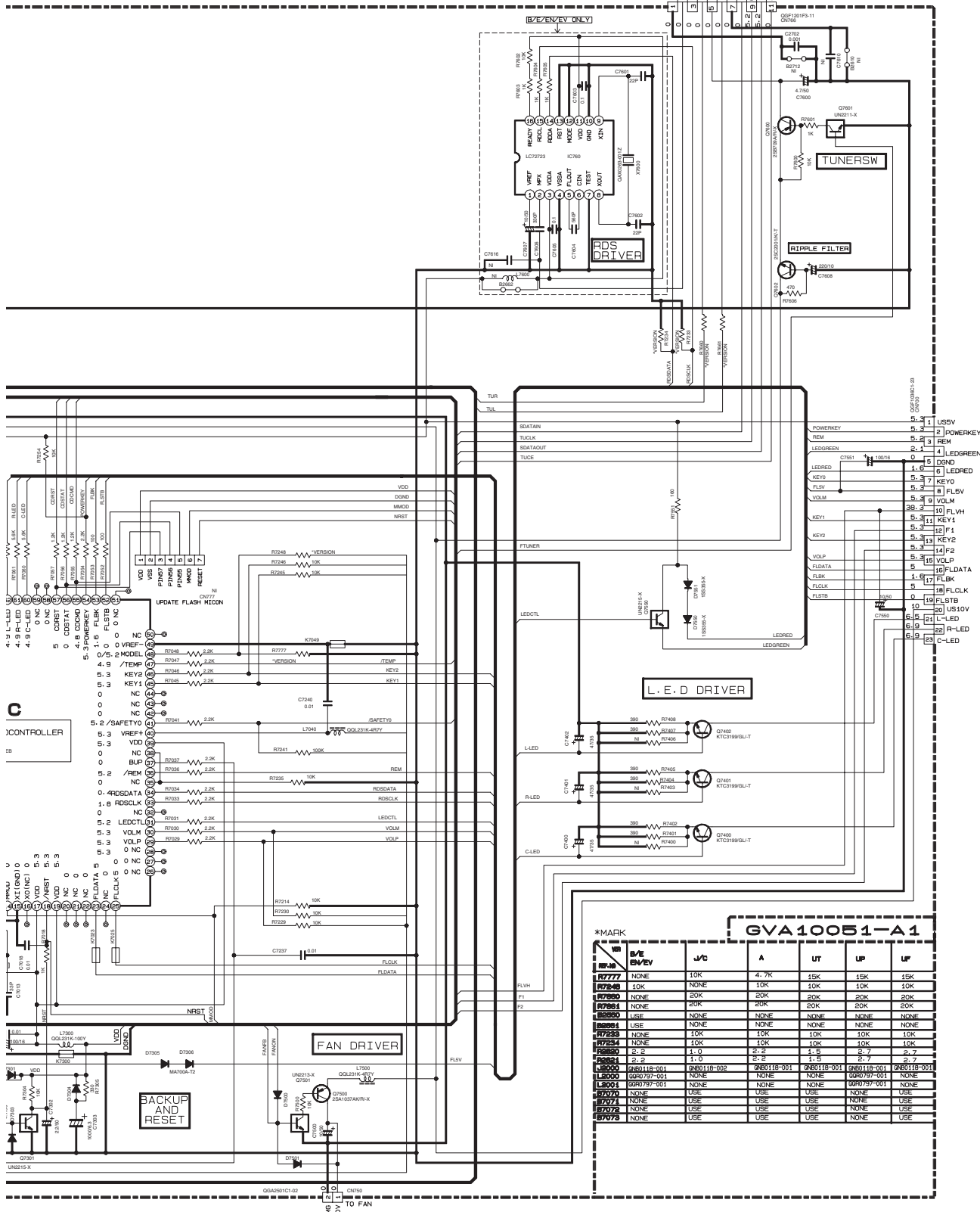












**\*MARK**

| REF. NO. | S/E        | U/C        | A          | UT         | UP         | UF         |
|----------|------------|------------|------------|------------|------------|------------|
| R7777    | NONE       | 10K        | 4.7K       | 15K        | 15K        | 15K        |
| R7846    | 10K        | NONE       | 10K        | 10K        | 10K        | 10K        |
| R7850    | NONE       | 20K        | 20K        | 20K        | 20K        | 20K        |
| R7884    | NONE       | 20K        | 20K        | 20K        | 20K        | 20K        |
| R8890    | USE        | NONE       | NONE       | NONE       | NONE       | NONE       |
| R8991    | USE        | NONE       | NONE       | NONE       | NONE       | NONE       |
| R7285    | NONE       | 10K        | 10K        | 10K        | 10K        | 10K        |
| R7834    | NONE       | 10K        | 10K        | 10K        | 10K        | 10K        |
| R8890    | 2-P        | 1-0        | 1-5        | 2-7        | 2-7        | 2-7        |
| R8991    | 2-P        | 1-0        | 2-8        | 1-5        | 2-7        | 2-7        |
| L8000    | G9011B-001 | G9011B-002 | G9011B-001 | G9011B-001 | G9011B-001 | G9011B-001 |
| L8001    | G90797-001 | NONE       | NONE       | NONE       | G90797-001 | NONE       |
| D7070    | USE        | USE        | USE        | USE        | USE        | USE        |
| D7071    | NONE       | USE        | USE        | USE        | NONE       | USE        |
| D7072    | NONE       | USE        | USE        | USE        | NONE       | USE        |
| D7073    | NONE       | USE        | USE        | USE        | NONE       | USE        |

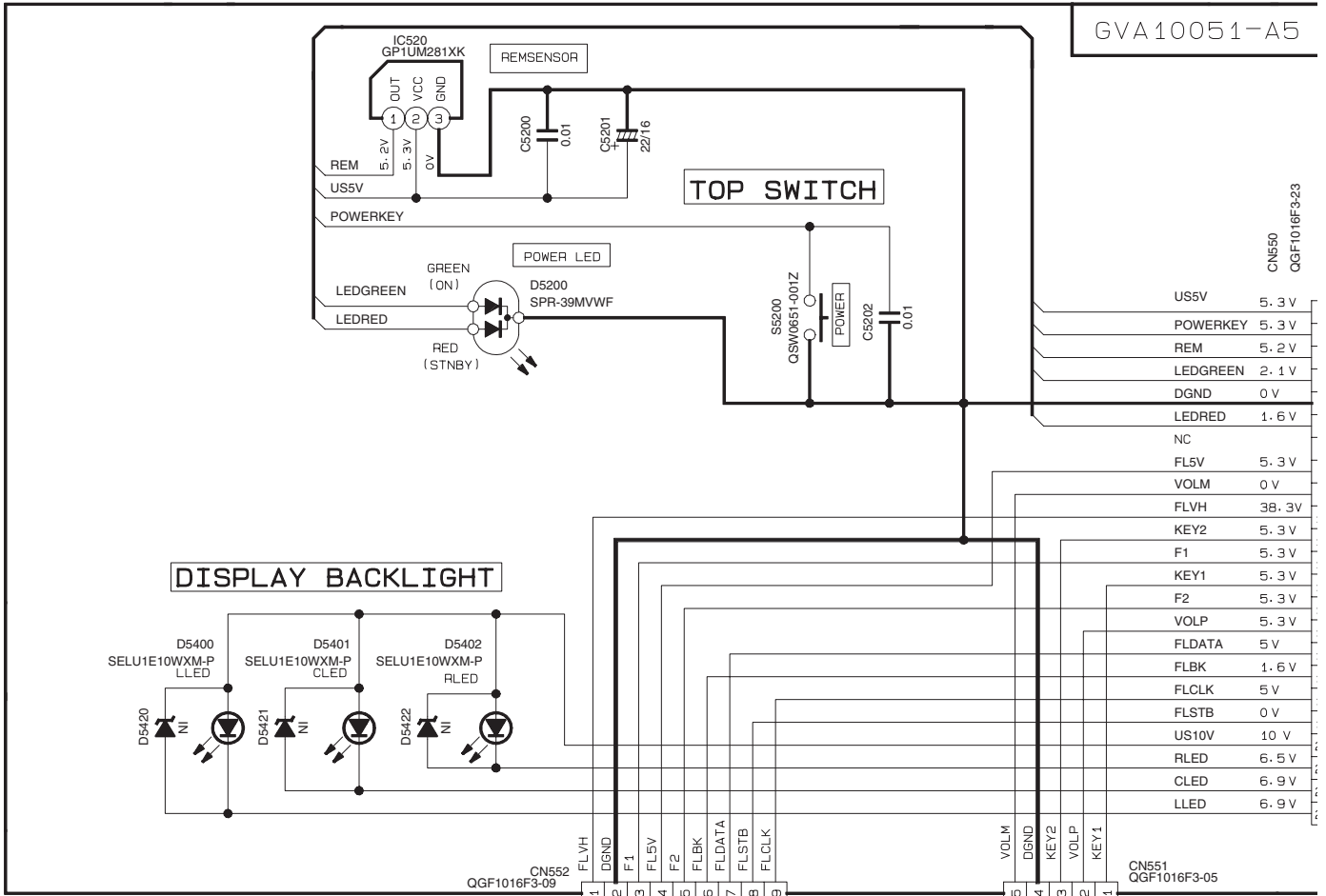
**NOTES**  
 1. VOLTAGES ARE DC-MEASURED WITH A DIGITAL VOLT METER OR OSCILLOSCOPE WITHOUT INPUT SIGNAL.  
 2. UNLESS OTHERWISE SPECIFIED.  
 ALL RESISTORS ARE 1/4W ± 5% CARBON FILM RESISTOR OR 0.063W ± 5% THICK FILM CHIP RESISTOR  
 ALL CAPACITORS ARE CERAMIC CAPACITOR OR MYLAR CAPACITOR.

ALL RESISTANCE VALUES ARE IN OHM(Ω).  
 ALL CAPACITANCE VALUES ARE IN F(P=pF).  
 ALL C-CAPACITORS ARE SHOWN IN THE FORM OF CAPACITANCE(μF)RATED VOLTAGE (V).  
 ALL INDUCTANCE VALUES ARE IN μH(mmH).  
 ALL DIODES ARE 1SS119-041-T2  
 ALL FERRITE BEADS ARE G90621-001Z

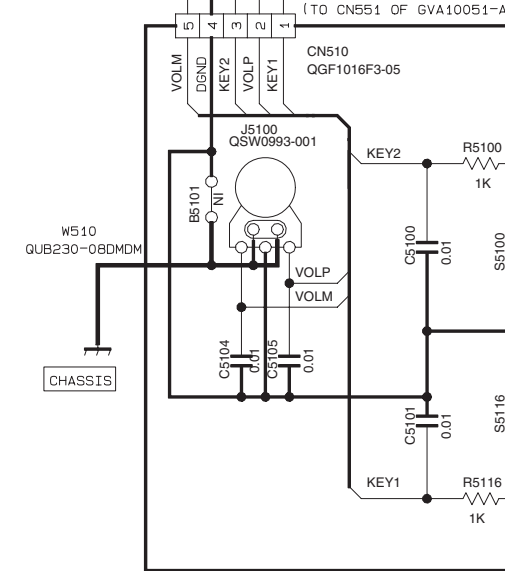
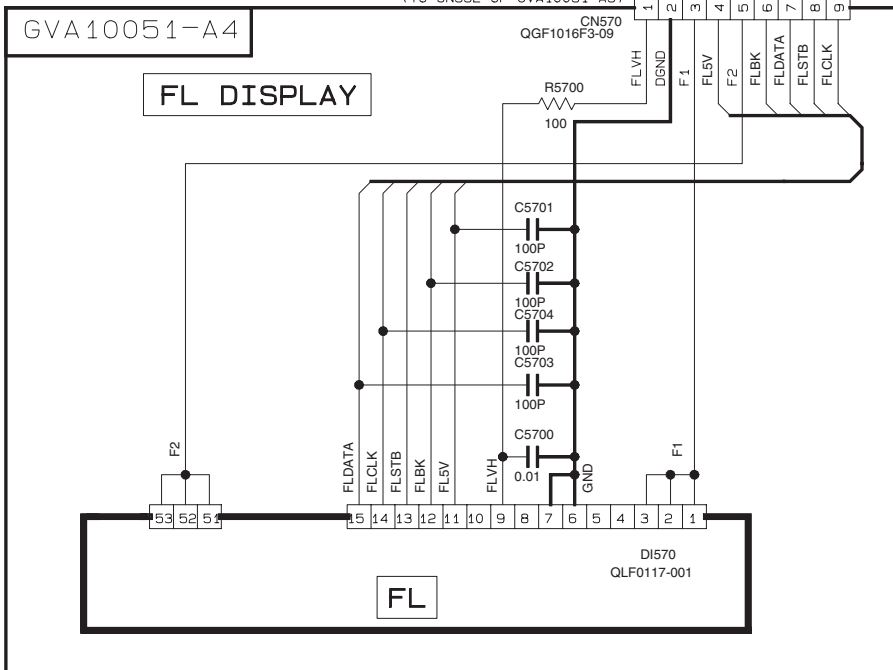
⚠ Parts are safety assurance parts.  
 When replacing those parts make sure to use the specified one.

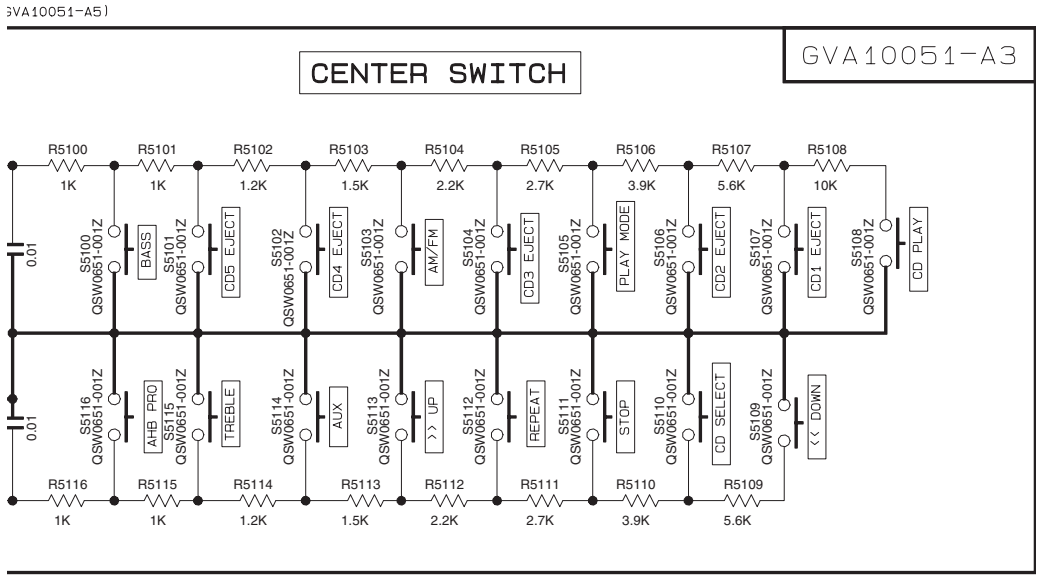
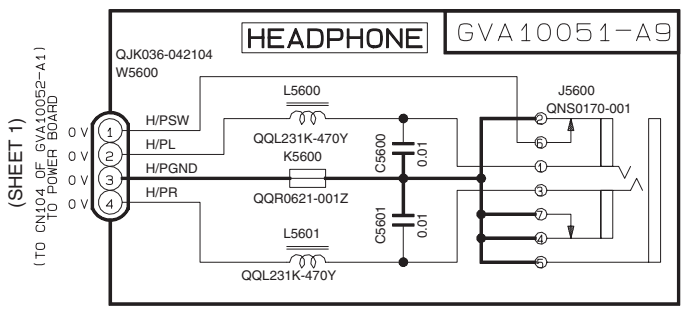
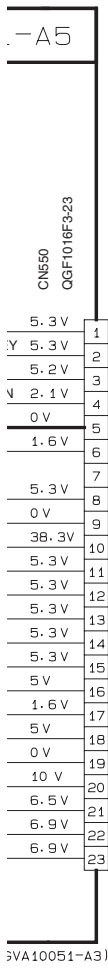
# FL display / Users key control / Source selector switch section

GVA10051-A5

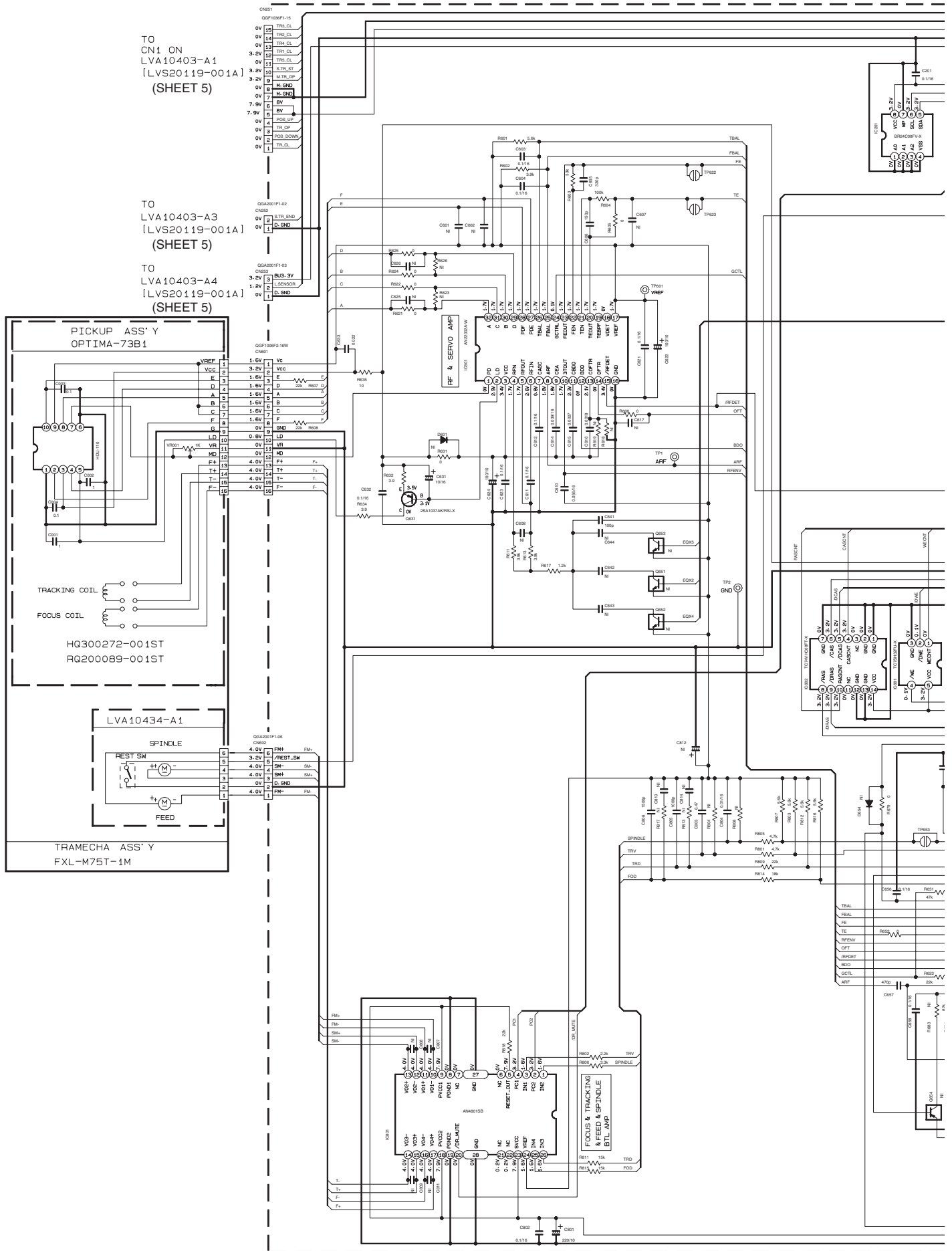


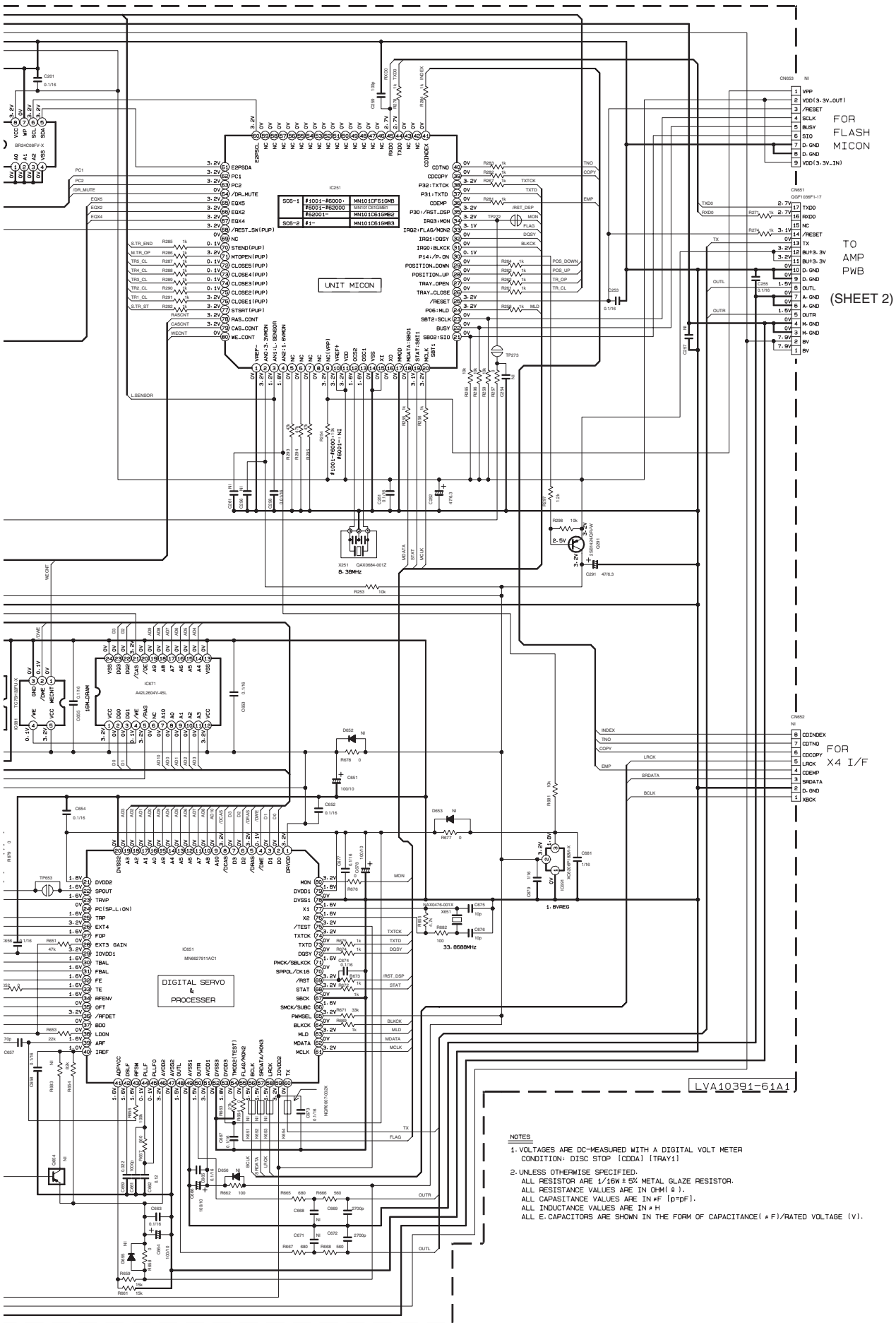
GVA10051-A4





# CD servo and CD system control section





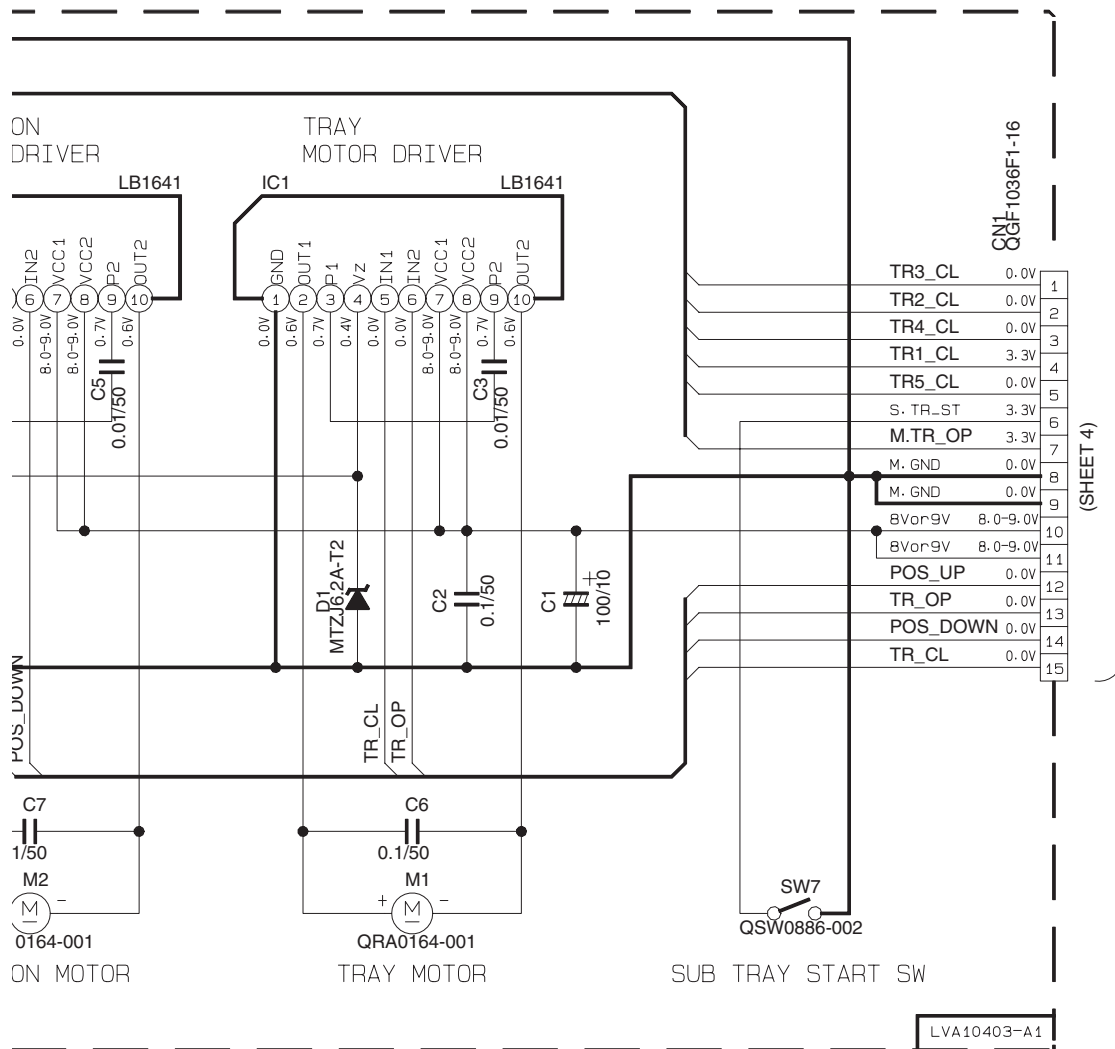
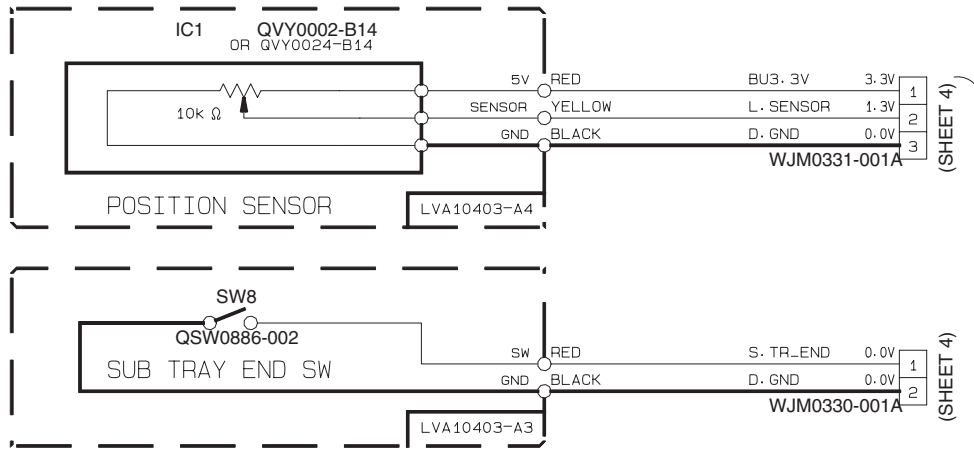
FOR FLASH MICON

TO AMP PWB (SHEET 2)

FOR X4 I/F

- NOTES**
1. VOLTAGES ARE DC-MEASURED WITH A DIGITAL VOLT METER  
CONDITION: DISC STOP (CDDA) (TRAY1)
  2. UNLESS OTHERWISE SPECIFIED,  
ALL RESISTOR ARE 1/16W ± 5% METAL GLAZE RESISTOR.  
ALL RESISTANCE VALUES ARE IN OHM (Ω).  
ALL CAPACITANCE VALUES ARE IN pF. [p-pF].  
ALL INDUCTANCE VALUES ARE IN μH  
ALL E. CAPACITORS ARE SHOWN IN THE FORM OF CAPACITANCE(μF)/RATED VOLTAGE (V).

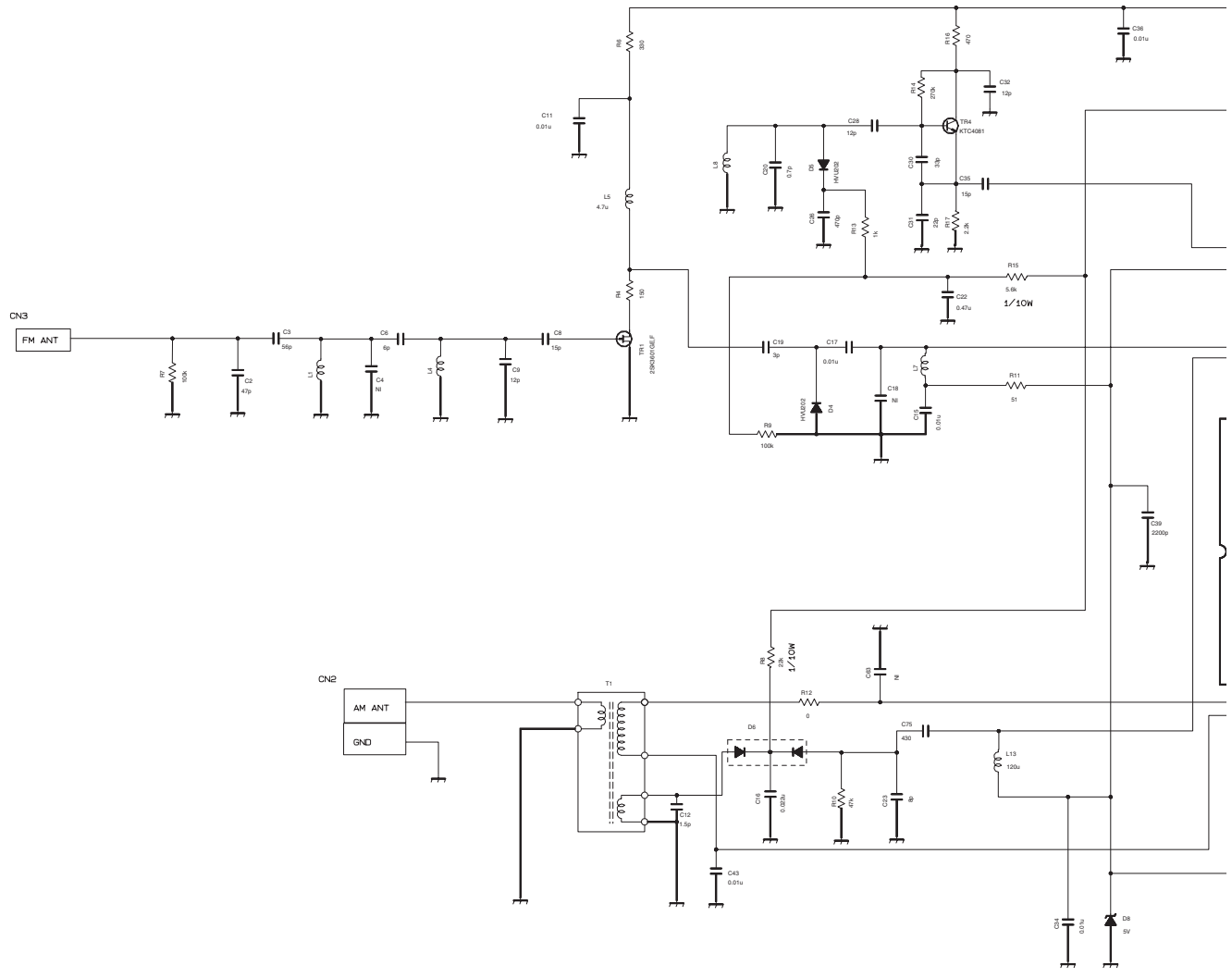




TO POWER AND MECHA CONTROL MICOM

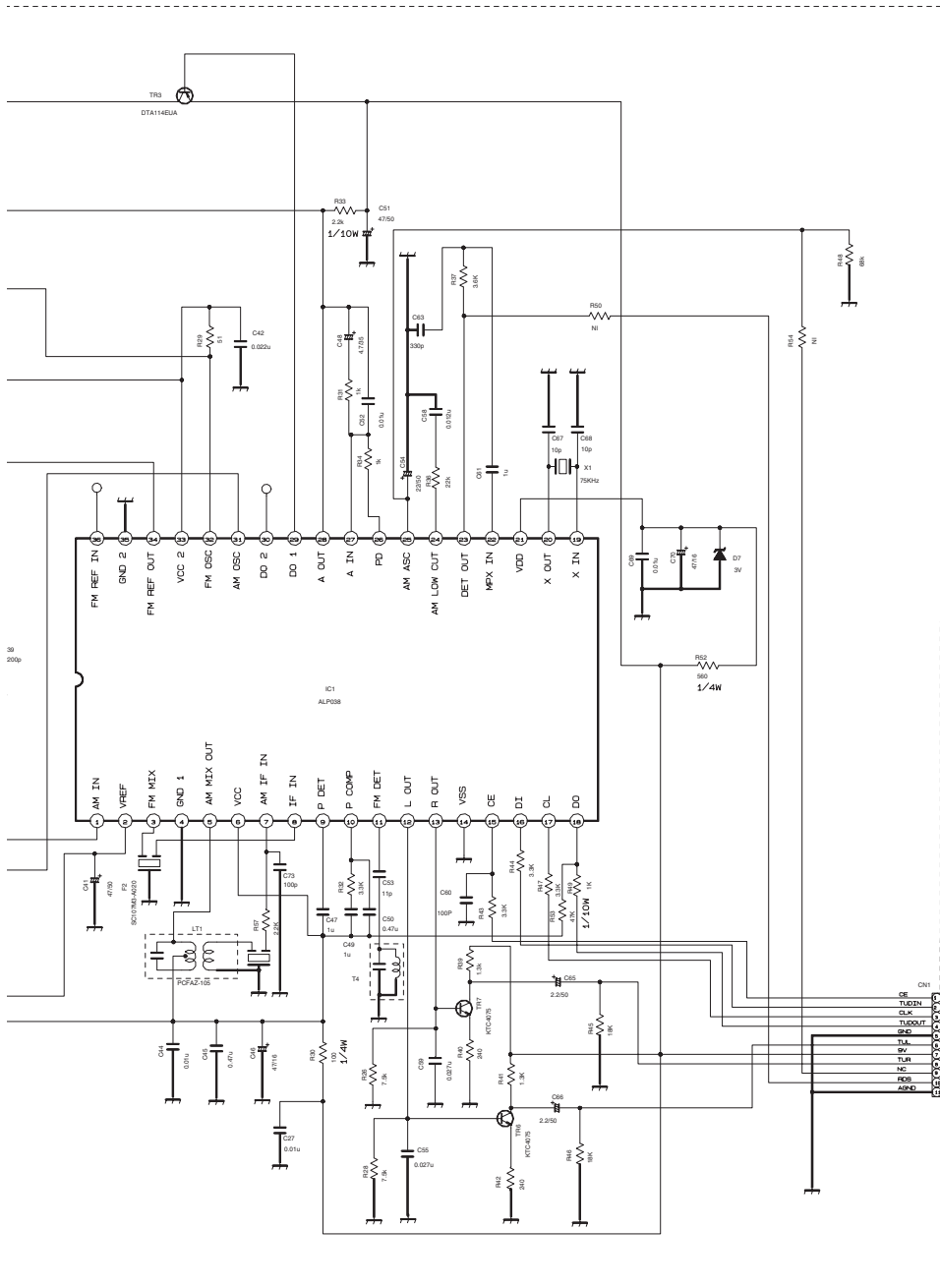
■ FM / AM tuner unit section

QAU0346-001



NOTE





38  
250p

Pin 1 of IC1 (ALP338)  
(SHEET 2)

NOTES

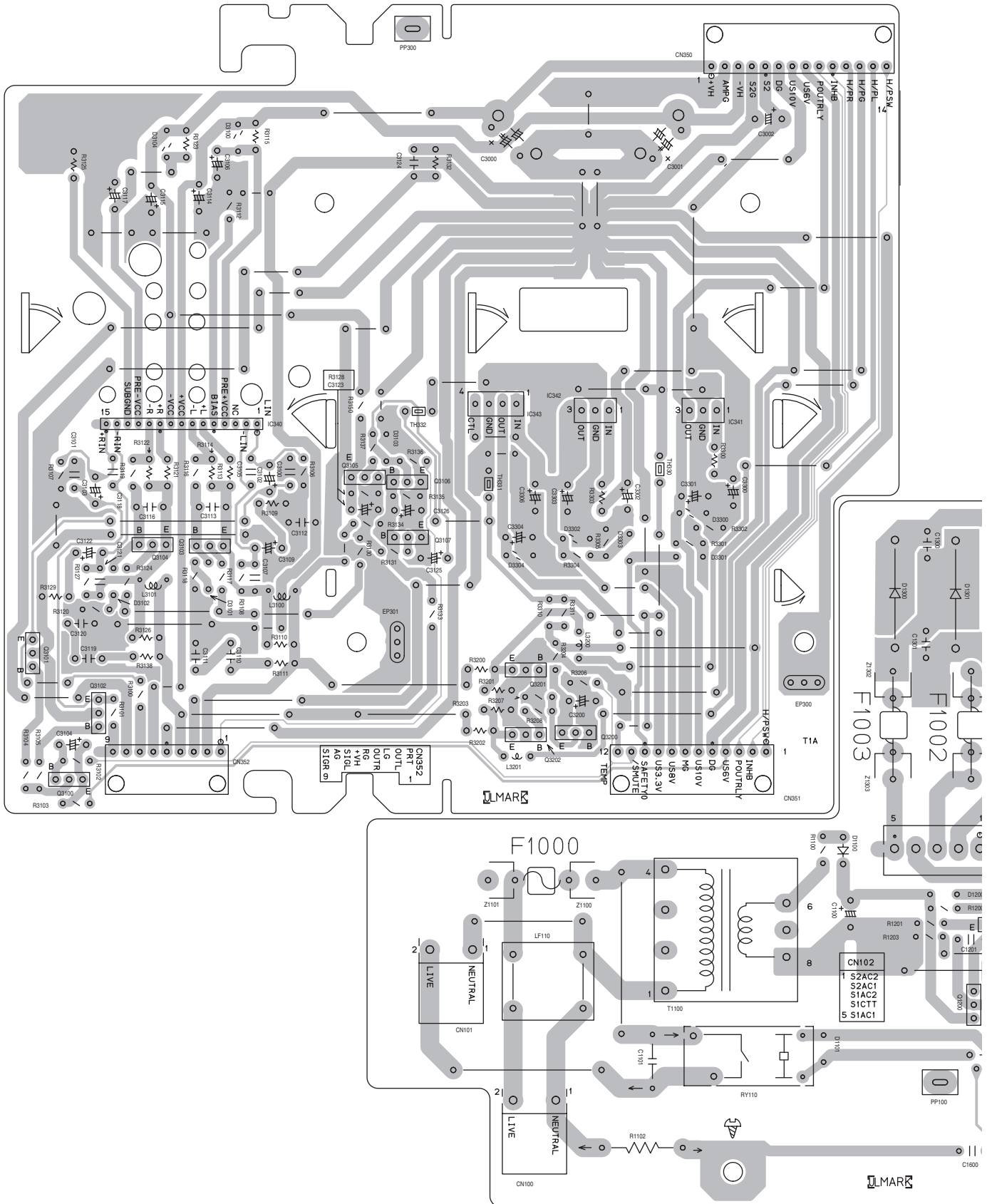
- 1. UNLESS OTHERWISE SPECIFIED
- ALL RESISTANCE VALUES ARE IN OHMS (Ω).
- ALL CAPACITANCE VALUES ARE IN μF (μF).
- ALL INDUCTANCE VALUES ARE IN μH (μH).
- ALL E. CAPACITORS ARE SHOWN IN THE FORM OF CAPACITANCE 1/4PI/RATED VOLTAGE (V).



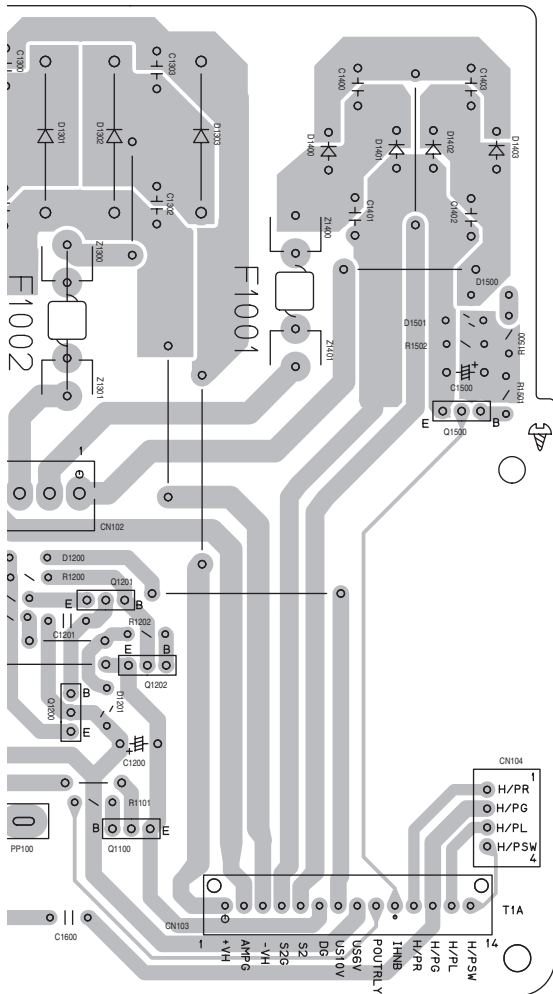


■ Power board

(Power amplifier board)

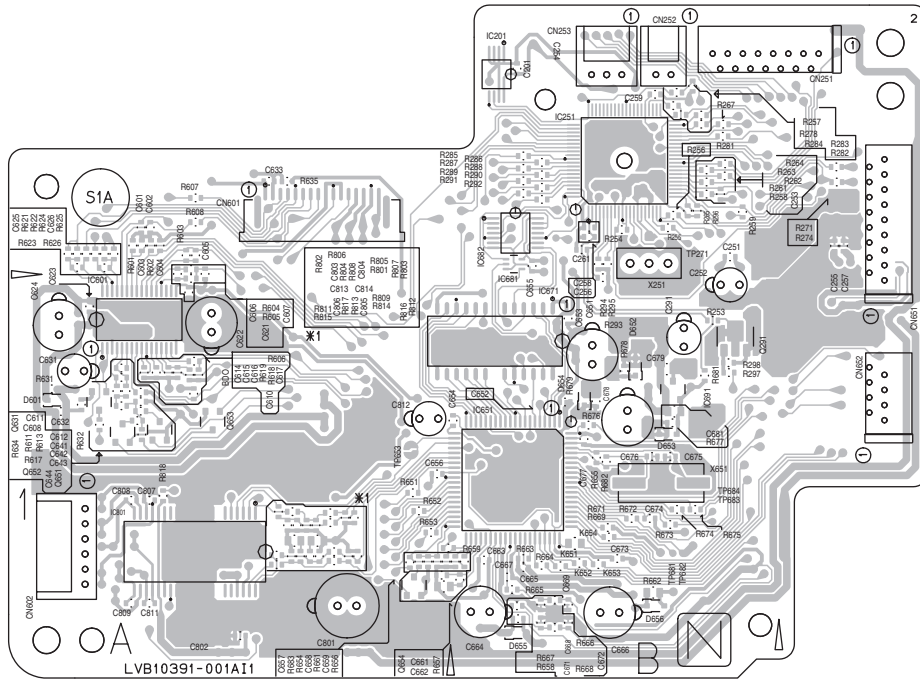


(Primary board)

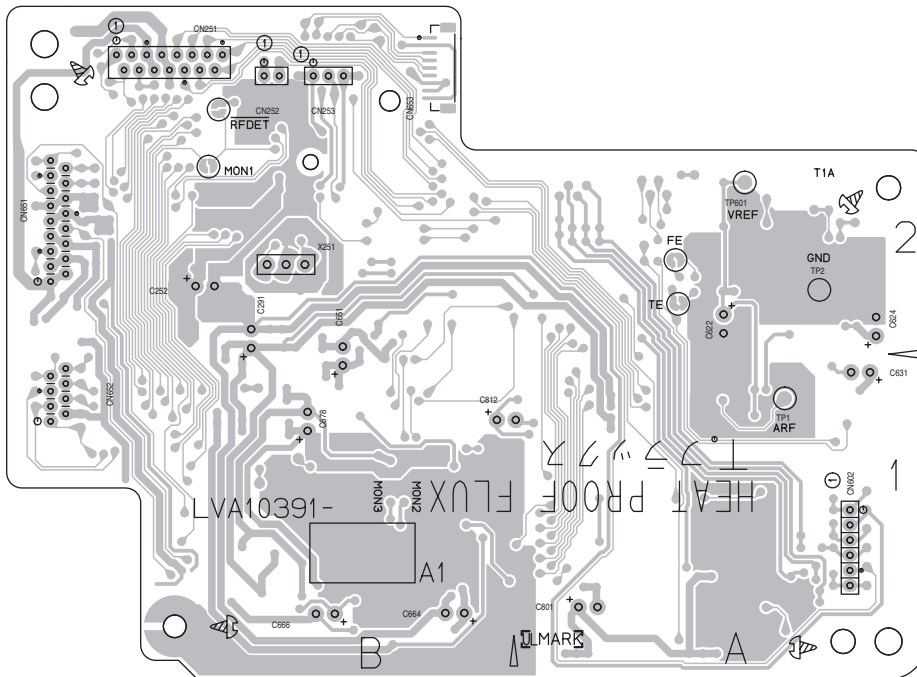


■ CD servo board

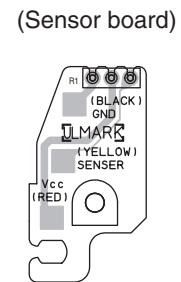
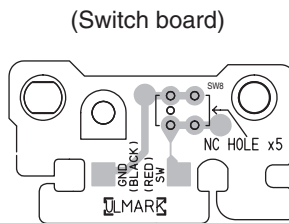
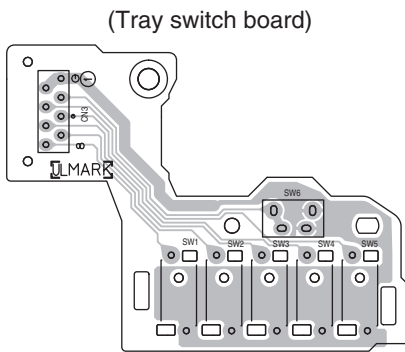
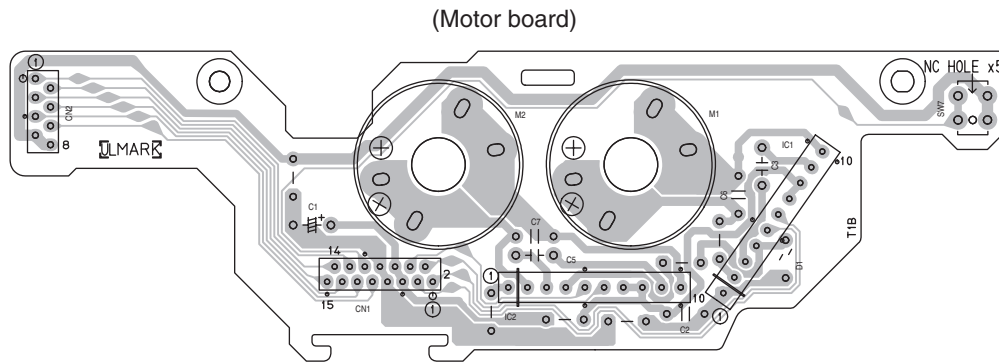
(Forward side)



(Reverse side)



## ■ Loading switch board



**JVC**

**VICTOR COMPANY OF JAPAN, LIMITED**

AV & MULTIMEDIA COMPANY AUDIO/VIDEO SYSTEMS CATEGORY 10-1, 1chome, Ohwatari-machi, Maebashi-city, 371-8543, Japan

(No.MB205SCH)



Printed in Japan  
WPC



# PARTS LIST

[ FS-S57 ]

\* All printed circuit boards and its assemblies are not available as service parts.

## Area suffix

J ----- U.S.A.  
C ----- Canada

## - Contents -

|  |      |
|--|------|
| Exploded view of general assembly and parts list (Block No.M1) ..... | 3- 2 |
| CD changer mechanism assembly and parts list (Block No.MA) .....     | 3- 5 |
| CD mechanism assembly and parts list (Block No.MB) .....             | 3- 7 |
| Electrical parts list (Block No.01~04) .....                         | 3- 8 |
| Packing materials and accessories parts list (Block No.M3).....      | 3-14 |





# General assembly

## Block No. [M][1][M][M]

| △ Symbol No. | Part No.       | Part Name                 | Description     | Local |
|--------------|----------------|---------------------------|-----------------|-------|
| 1            | GV10225-006A   | FRONT PANEL               |                 |       |
| 2            | GV10143-009A   | FRONT BASE                |                 |       |
| 3            | GV10144-006A   | FRAME LENS                |                 |       |
| 4            | QYSDSF2608Z    | SCREW                     | 2.6mm x 8mm(x6) |       |
| 5            | QYSBSF3010Z    | TAP SCREW                 | 3mm x 10mm(x4)  |       |
| 6            | GV30435-001A   | POWER BUTTON              |                 |       |
| 7            | GV30452-014A   | MAIN BTN.ASSY.            |                 |       |
| 8            | GV30459-008A   | FRONT LENS B              |                 |       |
| 9            | GV30458-001A   | LENS HOLDER               |                 |       |
| 10           | GV40399-001A   | STANDBY LENS              |                 |       |
| 11           | GV40400-001A   | REMOTE LENS               |                 |       |
| 12           | GV30465-002A   | LED LENS                  |                 |       |
| 13           | QYSDSF2608Z    | SCREW                     | 2.6mm x 8mm(x4) |       |
| 14           | QYSDSF2608Z    | SCREW                     | 2.6mm x 8mm(x6) |       |
| 15           | QYSBSF3008M    | TAP SCREW                 | 3mm x 8mm       |       |
| 16           | GV30483-001A   | COVER SHEET               |                 |       |
| 17           | GV30439-001A   | VOLUME RING               |                 |       |
| 18           | GV30443-001A   | VOLUME KNOB               |                 |       |
| 19           | GV40121-007A   | SPACER                    |                 |       |
| 20           | GV40184-002A   | FOOT SPACER               | (x2)            |       |
| 21           | GV40035-001A   | SPECIAL SCREW             |                 |       |
| 22           | GV30451-002A   | CASS.STAND                |                 |       |
| 23           | GV40521-002A   | SUPPORT BRACKET           |                 |       |
| 24           | QYSBST3006Z    | TAPPING SCREW             | 3mm x 6mm       |       |
| 25           | QYSDST3005Z    | TAP SCREW                 | M3 x 5mm(x2)    |       |
| 26           | QYSBST3006Z    | TAPPING SCREW             | 3mm x 6mm       |       |
| 27           | GV30444-003A   | STAY BRACKET              |                 |       |
| 28           | QYSDSF2608Z    | SCREW                     | 2.6mm x 8mm(x4) |       |
| 29           | GV30440-011A   | CD DOOR                   |                 |       |
| 30           | GV30441-006A   | CD DOOR COVER             |                 |       |
| 31           | GV40494-001A   | DOOR SPRING               |                 |       |
| 32           | GV30445-003A   | CD DOOR BKT.              |                 |       |
| 33           | GV40405-003A   | CD LENS                   |                 |       |
| 34           | QYSDSF2608Z    | SCREW                     | 2.6mm x 8mm(x2) |       |
| 35           | QYSDSF2605M    | TAP SCREW                 | M2.6 x 5mm(x5)  |       |
| 36           | GV40420-001A   | CD SPRING                 |                 |       |
| 37           | QAR0124-003    | FAN                       |                 |       |
| 38           | QYSBSG3020Z    | TAP SCREW                 | M3 x 20mm(x2)   |       |
| 39           | QYSBST3006Z    | TAPPING SCREW             | 3mm x 6mm       |       |
| 40           | QYSBST3006Z    | TAPPING SCREW             | 3mm x 6mm       |       |
| 41           | GV30479-001A   | PRIMARY PROTECT           |                 |       |
| 42           | GV30446-002A   | CD BRACKET(F)             |                 |       |
| 43           | GV30447-001A   | CD BRACKET(R)             |                 |       |
| 44           | QYSDST3006M    | TAP SCREW                 | M3 x 6mm(x2)    |       |
| 45           | QYSDST3005Z    | TAP SCREW                 | M3 x 5mm(x2)    |       |
| 46           | QYSBST4006Z    | SCREW                     | 4mm x 6mm(x2)   |       |
| 47           | QYSBST3004Z    | SCREW                     | 3mm x 4mm(x2)   |       |
| 48           | GV10146-001A   | BOTTOM CHASSIS            |                 |       |
| 49           | GV10147-001A   | MAIN CHASSIS              |                 |       |
| 50           | QYSSST3006Z    | SCREW                     | 3mm x 6mm(x4)   |       |
| 51           | QYSBSGG3008E   | TAPPING SCREW             | 3mm x 8mm       |       |
| 52           | QYSBST3006Z    | TAPPING SCREW             | 3mm x 6mm(x2)   |       |
| 53           | GV40184-002A   | FOOT SPACER               | (x2)            |       |
| 54           | QAU0346-001    | TUNER                     |                 |       |
| 55           | GV30448-004A   | IC HOLDER                 |                 |       |
| 56           | GV30449-004A   | HEAT SINK                 |                 |       |
| 57           | QYSBST3006Z    | TAPPING SCREW             | 3mm x 6mm(x4)   |       |
| 58           | QYSBSG3016Z    | TAP SCREW                 | M3 x 16mm(x3)   |       |
| 59           | QYSBST4006Z    | SCREW                     | 4mm x 6mm(x4)   |       |
| 60           | QYSBSG3016Z    | TAP SCREW                 | M3 x 16mm(x2)   |       |
| △ 61         | QZW0033-001    | STRAIN RELIEF             |                 |       |
| 62           | QYSDST3005Z    | TAP SCREW                 | M3 x 5mm(x3)    |       |
| 63           | GV40242-004A   | COMMON SPACER             |                 |       |
| 64           | QYSSST3006Z    | SCREW                     | 3mm x 6mm(x2)   |       |
| 65           | GV30349-015A   | SPACER                    |                 |       |
| 66           | GV30349-018A   | SPACER                    |                 |       |
| 67           | QYSDST3005Z    | TAP SCREW                 | M3 x 5mm        |       |
| 68           | GV40242-004A   | COMMON SPACER             |                 |       |
| 69           | GV40242-004A   | COMMON SPACER             |                 |       |
| 70           | GV40242-004A   | COMMON SPACER             |                 |       |
| 71           | GV40242-004A   | COMMON SPACER             |                 |       |
| 72           | GV40242-004A   | COMMON SPACER             |                 |       |
| 73           | GV40242-004A   | COMMON SPACER             |                 |       |
| △ 74         | QMPD380-200-JN | POWER CORD(US/CA)2m BLACK |                 |       |

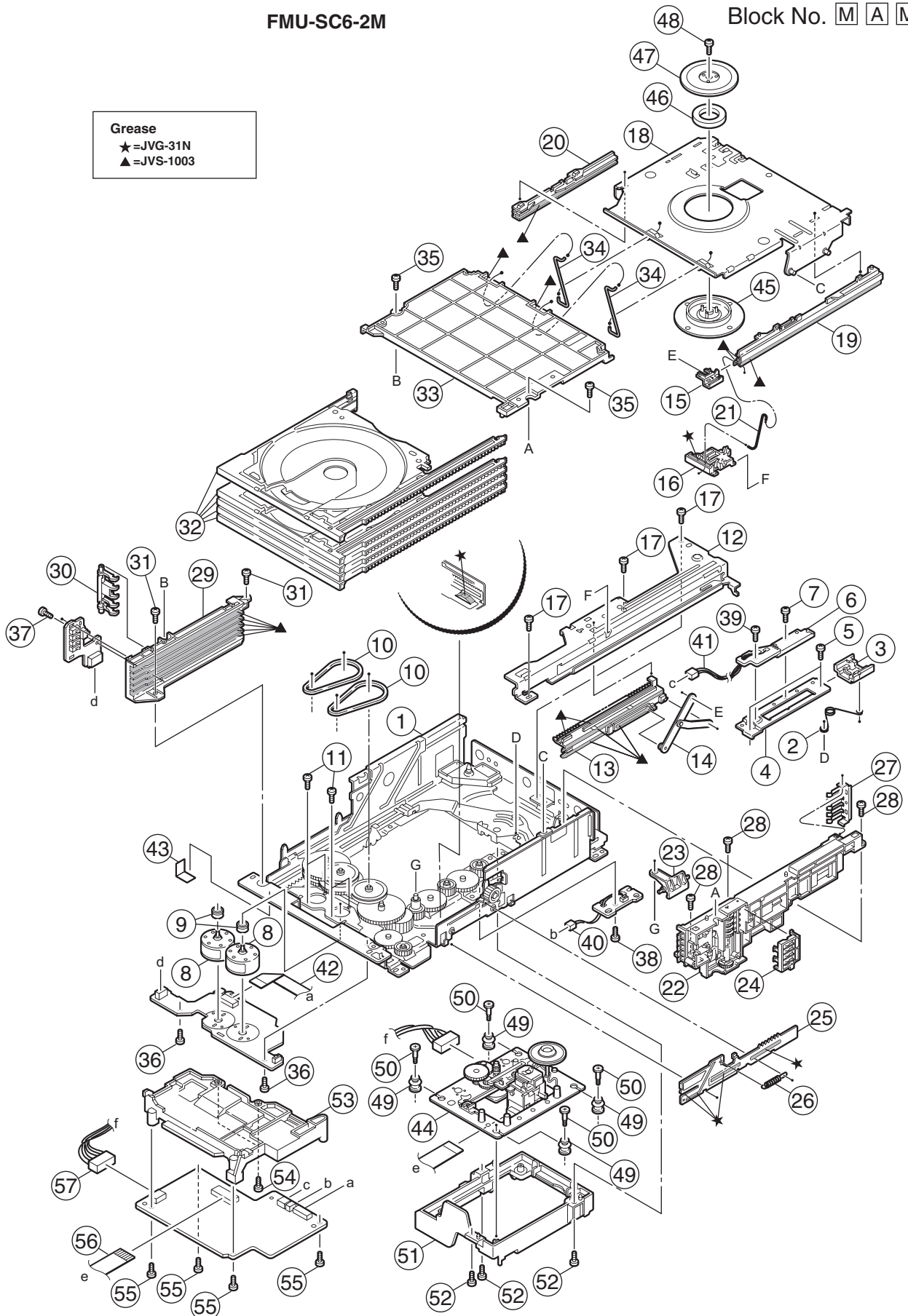
| △ Symbol No. | Part No.        | Part Name     | Description           | Local |
|--------------|-----------------|---------------|-----------------------|-------|
| 75           | GV10149-018A    | REAR PANEL    |                       |       |
| 76           | GV20232-002A    | REAR COVER    |                       |       |
| 77           | QYSBSGY3008E    | SPECIAL SCREW | 3mm x 8mm(x2)         |       |
| 78           | QYSBSGY3008E    | SPECIAL SCREW | 3mm x 8mm(x2)         |       |
| 79           | QYSBSGY3008E    | SPECIAL SCREW | 3mm x 8mm             |       |
| 80           | QYSBSGY3008E    | SPECIAL SCREW | 3mm x 8mm(x2)         |       |
| 81           | QYSBSGY3008E    | SPECIAL SCREW | 3mm x 8mm             |       |
| 82           | GV10148-009A/S/ | METAL COVER   |                       |       |
| 83           | QYSDSG3006M     | TAP SCREW     | 3mm x 6mm(x2)         |       |
| 84           | QYSBSGY3008E    | SPECIAL SCREW | 3mm x 8mm(x6)         |       |
| 85           | GV30614-003A    | RATING LABEL  |                       |       |
| 86           | LV42035-002A    | LASER CAUTION |                       |       |
| 87           | LV43835-001A    | EMC LABEL     |                       |       |
| 88           | QUQH10-2308BF   | FFC CABLE     |                       |       |
| 89           | QUQH10-0508BJ   | FFC CABLE     |                       |       |
| 90           | QUQH10-0906BF   | FFC CABLE     |                       |       |
| 91           | QUQH10-1713AJ   | FFC CABLE     |                       |       |
| 92           | QUQH12-1130AJ   | FFC CABLE     |                       |       |
| 93           | GV40424-001A    | LED           | (x3)                  |       |
| △ 94         | QMF51U1-2R5-J8  | FUSE          | F 1000 2.5A<br>AC125V |       |
| △ 95         | QMF51U1-1R6-J8  | FUSE          | F 1001 1.6A<br>AC125V |       |
| △ 96         | QQT0400-001     | POWER TRANSF  | T 1101                |       |

# CD changer mechanism assembly and parts list

FMU-SC6-2M

Block No. M A M M

Grease  
 ★ = JVG-31N  
 ▲ = JVS-1003



# CD changer mechanism

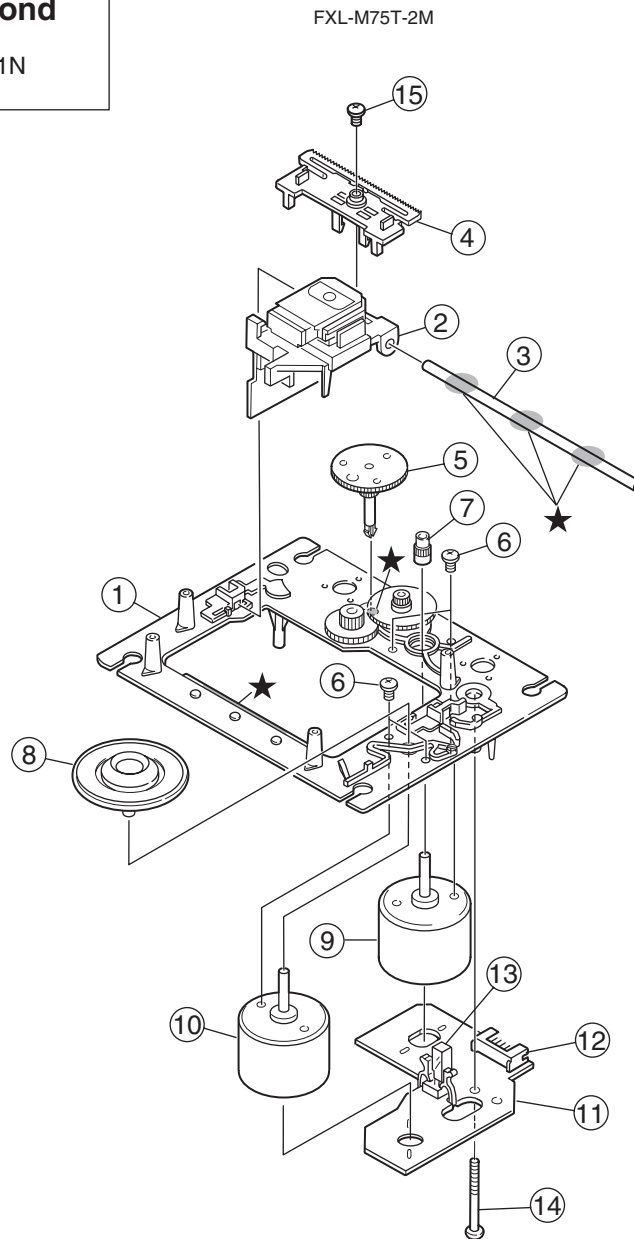
Block No. [M][A][M][M]

| Symbol No. | Part No.      | Part Name        | Description       | Local |
|------------|---------------|------------------|-------------------|-------|
| 1          | LV10743-004A  | CHASSIS ASSY     |                   |       |
| 2          | LV43278-001A  | SENSOR SPRING    |                   |       |
| 3          | LV33961-002A  | SENSOR SLIDER    |                   |       |
| 4          | LV33962-001A  | SENSOR BRACKET   |                   |       |
| 5          | QYSDST2605Z   | SCREW            | 2.6mm x 5mm(x2)   |       |
| 6          | QVY0027-B14   | S V RESISTOR     |                   |       |
| 7          | QYSDST2004Z   | SCREW            | 2mm x 4mm         |       |
| 8          | QAR0164-001   | MOTOR            | (x2)              |       |
| 9          | LV42340-001A  | MOTOR PULLEY     | (x2)              |       |
| 10         | LV41431-002A  | BELT             | (x2)              |       |
| 11         | QYSPSPU1725N  | SCREW            | 1.7mm x 2.5mm(x4) |       |
| 12         | LV10744-002A  | RACK HOLDER      |                   |       |
| 13         | LV21406-003A  | LOADING RACK     |                   |       |
| 14         | LV43279-001A  | LIFT ARM ASSY    |                   |       |
| 15         | LV33963-001A  | HOOK             |                   |       |
| 16         | LV33964-002A  | HOOK STOPPER     |                   |       |
| 17         | QYSDST2605Z   | SCREW            | 2.6mm x 5mm(x3)   |       |
| 18         | LV33965-004A  | LIFTER ASSY      |                   |       |
| 19         | LV21408-002A  | RAIL(R)          |                   |       |
| 20         | LV21409-002A  | RAIL(L)          |                   |       |
| 21         | LV43285-001A  | ROD (L)          |                   |       |
| 22         | LV21520-003A  | SIDE(R) ASSY     |                   |       |
| 23         | LV33974-001A  | SELECT LEVER     |                   |       |
| 24         | LV33975-001A  | GEAR COVER       |                   |       |
| 25         | LV33976-001A  | ELEVATOR CAM     |                   |       |
| 26         | LV43287-001A  | ELEVATOR SPRING  |                   |       |
| 27         | LV33977-002A  | CLICK SPRING     |                   |       |
| 28         | QYSDST2605Z   | SCREW            | 2.6mm x 5mm(x3)   |       |
| 29         | LV10749-002A  | SIDE(L)          |                   |       |
| 30         | LV33980-001A  | OPEN DET.LEVER   |                   |       |
| 31         | QYSDST2605Z   | SCREW            | 2.6mm x 5mm(x2)   |       |
| 32         | LV10746-003A  | TRAY ASSY        | (x5)              |       |
| 33         | LV10750-002A  | TOP COVER        |                   |       |
| 34         | LV43289-002A  | ROD              | (x2)              |       |
| 35         | QYSDSF2608Z   | SCREW            | 2.6mm x 8mm(x2)   |       |
| 36         | QYSDST2605Z   | SCREW            | 2.6mm x 5mm(x2)   |       |
| 37         | QYSDSF2608Z   | SCREW            | 2.6mm x 8mm       |       |
| 38         | QYSDST2605Z   | SCREW            | 2.6mm x 5mm       |       |
| 39         | QYSDST2004Z   | SCREW            | 2mm x 4mm         |       |
| 40         | WJM0330-002A  | E-SI C WIRE C-F  |                   |       |
| 41         | WJM0331-001A  | E-SI C WIRE C-F  |                   |       |
| 42         | QUQ110-1521BF | FFC WIRE         |                   |       |
| 43         | VYSA1R4-056   | SPACER           |                   |       |
| 44         | -----         | CD TRAMECHA ASSY |                   |       |
| 45         | VKS3697-001   | CLAMPER          | OT 1              |       |
| 46         | VYH7313-005   | MAGNET           | OT 2              |       |
| 47         | LV33981-001A  | CD YOKE          | OT 3              |       |
| 48         | QYSDSF2606Z   | SCREW            | OT 4              |       |
| 49         | LV41659-002A  | INSULATOR        | (x4)              |       |
| 50         | LV43245-001A  | SPECIAL SCREW    | (x4)              |       |
| 51         | LV21410-001A  | CD TM BASE       |                   |       |
| 52         | QYSDST2605Z   | SCREW            | 2.6mm x 5mm(x3)   |       |
| 53         | LV21411-001A  | CD MODULE BKT    |                   |       |
| 54         | QYSDST2605Z   | SCREW            | 2.6mm x 5mm(x2)   |       |
| 55         | QYSDSF2608Z   | SCREW            | 2.6mm x 8mm(x4)   |       |
| 56         | QUQ710-16Y0AJ | FFC WIRE         |                   |       |
| 57         | QJJ010-061802 | SIN CR C-C WIRE  |                   |       |

# CD mechanism assembly and parts list

Block No. M B M M

**Grease & Bond**  
★ = JVG-31N



## CD mechanism

Block No. MBMM

| △ Symbol No. | Part No.      | Part Name       | Description   | Local | △ Symbol No. | Part No.     | Part Name     | Description | Local |
|--------------|---------------|-----------------|---------------|-------|--------------|--------------|---------------|-------------|-------|
| 1            | LV10723-002A  | CD MECHA BASE A |               |       | 9            | QAR0253-001  | FEED MOTOR    |             |       |
| 2            | OPTIMA-73B1C  | C.D PICK        |               |       | 10           | QAR0276-001  | SP MOTOR      |             |       |
| 3            | E406777-002SM | C.D SHAFT       |               |       | 11           | EMW10190-441 | CIR BOARD     |             |       |
| 4            | LV31002-001A  | CD RACK         |               |       | 12           | QGA2001F1-06 | CONNECTOR     | W-B (1-6)   |       |
| 5            | E307745-441SM | C.D GEAR 3      |               |       | 13           | QSW0506-001  | LEAF SW       |             |       |
| 6            | QYSDSP2003N   | SCREW           | 2mm x 3mm(x4) |       | 14           | E75832-221SS | SPECIAL SCREW |             |       |
| 7            | E406750-442SM | PINION          |               |       | 15           | QYSDSF2006Z  | SCREW         | 2mm x 6mm   |       |
| 8            | LV42350-001A  | T.T.ASSY        |               |       |              |              |               |             |       |

# Electrical parts list

## Micon board

Block No. [0][1][0][0]

| △ Symbol No. | Part No.      | Part Name       | Description   | Local | △ Symbol No. | Part No.     | Part Name    | Description   | Local |
|--------------|---------------|-----------------|---------------|-------|--------------|--------------|--------------|---------------|-------|
| IC520        | GP1UM281XK    | IR DETECT UNIT  | 38kHz         |       | C2105        | QETN1HM-475Z | E CAPACITOR  | 4.7uF 50V M   |       |
| IC900        | MN101C57DEB   | MASK MICON      |               |       | C2107        | QTE1V06-106Z | E CAPACITOR  | 10uF 35V      |       |
| IC901        | LC75345M-X    | IC              |               |       | C2108        | QETN1HM-475Z | E CAPACITOR  | 4.7uF 50V M   |       |
| Q2209        | 2SD601A/QR/-X | TRANSISTOR      |               |       | C2109        | QTE1V06-106Z | E CAPACITOR  | 10uF 35V      |       |
| Q2210        | 2SD601A/QR/-X | TRANSISTOR      |               |       | C2110        | QTE1V06-106Z | E CAPACITOR  | 10uF 35V      |       |
| Q2211        | 2SC2001/K/-T  | TRANSISTOR      |               |       | C2111        | QFLC1HJ-272Z | M CAPACITOR  | 2700pF 50V J  |       |
| Q2600        | KTC3200/GL/-T | TRANSISTOR      |               |       | C2112        | QFLC1HJ-104Z | M CAPACITOR  | 0.1uF 50V J   |       |
| Q2601        | KTA1268/GL/-T | TRANSISTOR      |               |       | C2113        | QFLC1HJ-104Z | M CAPACITOR  | 0.1uF 50V J   |       |
| Q2602        | KTD863/Y/-T   | TRANSISTOR      |               |       | C2114        | QFVF1HJ-184Z | MF CAPACITOR | 0.18uF 50V J  |       |
| Q7300        | 2SD601A/QR/-X | TRANSISTOR      |               |       | C2115        | QFVF1HJ-184Z | MF CAPACITOR | 0.18uF 50V J  |       |
| Q7301        | UN2215-X      | TRANSISTOR      |               |       | C2116        | QFVF1HJ-154Z | MF CAPACITOR | 0.15uF 50V J  |       |
| Q7400        | KTC3199/GL/-T | TRANSISTOR      |               |       | C2117        | QTE1C06-226Z | E CAPACITOR  | 22uF 16V      |       |
| Q7401        | KTC3199/GL/-T | TRANSISTOR      |               |       | C2118        | QFVF1HJ-124Z | MF CAPACITOR | 0.12uF 50V J  |       |
| Q7402        | KTC3199/GL/-T | TRANSISTOR      |               |       | C2119        | QFVF1HJ-274Z | MF CAPACITOR | 0.27uF 50V J  |       |
| Q7500        | 2SB709A/R/-X  | TRANSISTOR      |               |       | C2126        | QFLC1HJ-183Z | M CAPACITOR  | 0.018uF 50V J |       |
| Q7501        | UN2213-X      | DIGI TRANSISTOR |               |       | C2213        | QETN1HM-106Z | E CAPACITOR  | 10uF 50V M    |       |
| Q7550        | UN2215-X      | TRANSISTOR      |               |       | C2215        | QETN1CM-107Z | E CAPACITOR  | 100uF 16V M   |       |
| Q7600        | 2SB709A/R/-X  | TRANSISTOR      |               |       | C2220        | QFLC1HJ-104Z | M CAPACITOR  | 0.1uF 50V J   |       |
| Q7601        | UN2211-X      | TRANSISTOR      |               |       | C2221        | QETN1CM-107Z | E CAPACITOR  | 100uF 16V M   |       |
| Q7602        | 2SC2001/K/-T  | TRANSISTOR      |               |       | C2222        | QETN1CM-107Z | E CAPACITOR  | 100uF 16V M   |       |
| Q7700        | KRC104M-T     | TRANSISTOR      |               |       | C2223        | QFLC1HJ-104Z | M CAPACITOR  | 0.1uF 50V J   |       |
| Q7701        | KRC102M-T     | DIGI TRANSISTOR |               |       | C2230        | QETN1HM-105Z | E CAPACITOR  | 1uF 50V M     |       |
| Q7801        | KTC3199/GL/-T | TRANSISTOR      |               |       | C2231        | NCB31AK-154X | C CAPACITOR  | 0.15uF 10V K  |       |
| Q7802        | UN2213-X      | DIGI TRANSISTOR |               |       | C2239        | QETN1HM-105Z | E CAPACITOR  | 1uF 50V M     |       |
| D2000        | MTZJ24C-T2    | Z DIODE         |               |       | C2507        | QDGB1HK-102Y | C CAPACITOR  | 1000pF 50V K  |       |
| D2100        | 1SS133-T2     | DIODE           |               |       | C2508        | QDGB1HK-102Y | C CAPACITOR  | 1000pF 50V K  |       |
| D2101        | 1SS133-T2     | DIODE           |               |       | C2600        | QETN1HM-475Z | E CAPACITOR  | 4.7uF 50V M   |       |
| D2205        | 1SS133-T2     | DIODE           |               |       | C2601        | QETN1JM-476Z | E CAPACITOR  | 47uF 63V M    |       |
| D2206        | 1SS133-T2     | DIODE           |               |       | C2602        | QETN1HM-107Z | E CAPACITOR  | 100uF 50V M   |       |
| D2230        | 1SS133-T2     | DIODE           |               |       | C2604        | QETN1HM-474Z | E CAPACITOR  | 0.47uF 50V M  |       |
| D2600        | MTZJ5.1C-T2   | Z DIODE         |               |       | C2605        | NCB31HK-103X | C CAPACITOR  | 0.01uF 50V K  |       |
| △ D2601      | 1N4003S-T5    | SI DIODE        |               |       | C2607        | QETN1JM-476Z | E CAPACITOR  | 47uF 63V M    |       |
| △ D2602      | 1N4003S-T5    | SI DIODE        |               |       | C2702        | QDGB1HK-102Y | C CAPACITOR  | 1000pF 50V K  |       |
| △ D2603      | 1N4003S-T5    | SI DIODE        |               |       | C5100        | NCB31HK-103X | C CAPACITOR  | 0.01uF 50V K  |       |
| D2604        | MTZJ18C-T2    | Z DIODE         |               |       | C5101        | NCB31HK-103X | C CAPACITOR  | 0.01uF 50V K  |       |
| D2605        | MTZJ22C-T2    | Z DIODE         |               |       | C5104        | NCB31HK-103X | C CAPACITOR  | 0.01uF 50V K  |       |
| D5200        | SPR-39MWWF    | LED             | RED-GREEN     |       | C5105        | NCB31HK-103X | C CAPACITOR  | 0.01uF 50V K  |       |
| D5400        | SELU1E10WXM-P | LED             |               |       | C5200        | NCB31HK-103X | C CAPACITOR  | 0.01uF 50V K  |       |
| D5401        | SELU1E10WXM-P | LED             |               |       | C5201        | QEKJ1CM-226Z | E CAPACITOR  | 22uF 16V M    |       |
| D5402        | SELU1E10WXM-P | LED             |               |       | C5202        | NCB31HK-103X | C CAPACITOR  | 0.01uF 50V K  |       |
| D7300        | 1SS133-T2     | DIODE           |               |       | C5600        | QCBB1HK-103Y | C CAPACITOR  | 0.01uF 50V K  |       |
| D7301        | 1SS133-T2     | DIODE           |               |       | C5601        | QCBB1HK-103Y | C CAPACITOR  | 0.01uF 50V K  |       |
| D7302        | MTZJ5.1C-T2   | Z DIODE         |               |       | C5700        | QCBB1HK-103Y | C CAPACITOR  | 0.01uF 50V K  |       |
| D7303        | 1SS133-T2     | DIODE           |               |       | C5701        | QCBB1HK-101Y | C CAPACITOR  | 100pF 50V K   |       |
| D7304        | 1SS133-T2     | DIODE           |               |       | C5702        | QCBB1HK-101Y | C CAPACITOR  | 100pF 50V K   |       |
| D7305        | 1SS133-T2     | DIODE           |               |       | C5703        | QCBB1HK-101Y | C CAPACITOR  | 100pF 50V K   |       |
| D7306        | MA700A-T2     | SB DIODE        |               |       | C5704        | QCBB1HK-101Y | C CAPACITOR  | 100pF 50V K   |       |
| D7500        | 1SS133-T2     | DIODE           |               |       | C7012        | NDC31HJ-330X | C CAPACITOR  | 33pF 50V J    |       |
| D7501        | 1SS133-T2     | DIODE           |               |       | C7013        | NDC31HJ-330X | C CAPACITOR  | 33pF 50V J    |       |
| D7550        | 1SS133-T2     | DIODE           |               |       | C7018        | NCB31HK-103X | C CAPACITOR  | 0.01uF 50V K  |       |
| D7551        | 1SS355-X      | SI DIODE        |               |       | C7237        | NCB31HK-103X | C CAPACITOR  | 0.01uF 50V K  |       |
| C2005        | QETN1HM-475Z  | E CAPACITOR     | 4.7uF 50V M   |       | C7240        | NCB31HK-103X | C CAPACITOR  | 0.01uF 50V K  |       |
| C2007        | QTE1V06-106Z  | E CAPACITOR     | 10uF 35V      |       | C7300        | QETN1CM-107Z | E CAPACITOR  | 100uF 16V M   |       |
| C2008        | QETN1HM-475Z  | E CAPACITOR     | 4.7uF 50V M   |       | C7301        | QETN1HM-475Z | E CAPACITOR  | 4.7uF 50V M   |       |
| C2009        | QTE1V06-106Z  | E CAPACITOR     | 10uF 35V      |       | C7302        | QETN1HM-225Z | E CAPACITOR  | 2.2uF 50V M   |       |
| C2010        | QTE1V06-106Z  | E CAPACITOR     | 10uF 35V      |       | C7303        | QETN0JM-108Z | E CAPACITOR  | 1000uF 6.3V M |       |
| C2011        | QFLC1HJ-272Z  | M CAPACITOR     | 2700pF 50V J  |       | C7304        | NCB31HK-103X | C CAPACITOR  | 0.01uF 50V K  |       |
| C2012        | QFLC1HJ-104Z  | M CAPACITOR     | 0.1uF 50V J   |       | C7305        | QETN1CM-107Z | E CAPACITOR  | 100uF 16V M   |       |
| C2013        | QFLC1HJ-104Z  | M CAPACITOR     | 0.1uF 50V J   |       | C7400        | QETN1VM-476Z | E CAPACITOR  | 47uF 35V M    |       |
| C2014        | QFVF1HJ-184Z  | MF CAPACITOR    | 0.18uF 50V J  |       | C7401        | QETN1VM-476Z | E CAPACITOR  | 47uF 35V M    |       |
| C2015        | QFVF1HJ-184Z  | MF CAPACITOR    | 0.18uF 50V J  |       | C7402        | QETN1VM-476Z | E CAPACITOR  | 47uF 35V M    |       |
| C2016        | QFVF1HJ-154Z  | MF CAPACITOR    | 0.15uF 50V J  |       | C7500        | QETN1HM-106Z | E CAPACITOR  | 10uF 50V M    |       |
| C2017        | QTE1C06-226Z  | E CAPACITOR     | 22uF 16V      |       | C7550        | QEK1HM-106Z  | E CAPACITOR  | 10uF 50V M    |       |
| C2018        | QFVF1HJ-124Z  | MF CAPACITOR    | 0.12uF 50V J  |       | C7551        | QEK1CM-107Z  | E CAPACITOR  | 100uF 16V M   |       |
| C2019        | QFVF1HJ-274Z  | MF CAPACITOR    | 0.27uF 50V J  |       | C7600        | QETN1HM-475Z | E CAPACITOR  | 4.7uF 50V M   |       |
| C2026        | QFLC1HJ-183Z  | M CAPACITOR     | 0.018uF 50V J |       | C7608        | QETN1AM-227Z | E CAPACITOR  | 220uF 10V M   |       |
| C2100        | NCB31HK-221X  | C CAPACITOR     | 220pF 50V K   |       | C7800        | QDGB1HK-102Y | C CAPACITOR  | 1000pF 50V K  |       |
| C2101        | NCB31HK-221X  | C CAPACITOR     | 220pF 50V K   |       | R2010        | NRSA63J-752X | MG RESISTOR  | 7.5kΩ 1/16W J |       |
| C2102        | QDGB1HK-102Y  | C CAPACITOR     | 1000pF 50V K  |       | R2011        | NRSA63J-752X | MG RESISTOR  | 7.5kΩ 1/16W J |       |
|              |               |                 |               |       | R2012        | NRSA63J-152X | MG RESISTOR  | 1.5kΩ 1/16W J |       |
|              |               |                 |               |       | R2013        | NRSA63J-222X | MG RESISTOR  | 2.2kΩ 1/16W J |       |
|              |               |                 |               |       | R2014        | NRSA63J-303X | MG RESISTOR  | 30kΩ 1/16W J  |       |
|              |               |                 |               |       | R2015        | NRSA63J-473X | MG RESISTOR  | 47kΩ 1/16W J  |       |



| △ Symbol No. | Part No. | Part Name    | Description   | Local         | △ Symbol No. | Part No. | Part Name    | Description | Local          |
|--------------|----------|--------------|---------------|---------------|--------------|----------|--------------|-------------|----------------|
|              | R2016    | NRSA63J-622X | MG RESISTOR   | 6.2kΩ 1/16W J |              | R7056    | NRSA63J-122X | MG RESISTOR | 1.2kΩ 1/16W J  |
|              | R2017    | NRSA63J-182X | MG RESISTOR   | 1.8kΩ 1/16W J |              | R7057    | NRSA63J-122X | MG RESISTOR | 1.2kΩ 1/16W J  |
| △            | R2020    | QRL01DJ-181X | OMF RESISTOR  | 180Ω 1W J     |              | R7060    | NRSA63J-562X | MG RESISTOR | 5.6kΩ 1/16W J  |
| △            | R2021    | QRL01DJ-181X | OMF RESISTOR  | 180Ω 1W J     |              | R7061    | NRSA63J-562X | MG RESISTOR | 5.6kΩ 1/16W J  |
| △            | R2030    | QRL01DJ-181X | OMF RESISTOR  | 180Ω 1W J     |              | R7062    | NRSA63J-562X | MG RESISTOR | 5.6kΩ 1/16W J  |
|              | R2040    | NRSA63J-471X | MG RESISTOR   | 470Ω 1/16W J  |              | R7075    | NRSA63J-222X | MG RESISTOR | 2.2kΩ 1/16W J  |
|              | R2041    | NRSA63J-182X | MG RESISTOR   | 1.8kΩ 1/16W J |              | R7076    | NRSA63J-222X | MG RESISTOR | 2.2kΩ 1/16W J  |
|              | R2047    | NRSA63J-104X | MG RESISTOR   | 100kΩ 1/16W J |              | R7077    | NRSA63J-222X | MG RESISTOR | 2.2kΩ 1/16W J  |
|              | R2100    | NRSA63J-303X | MG RESISTOR   | 30kΩ 1/16W J  |              | R7083    | NRSA63J-222X | MG RESISTOR | 2.2kΩ 1/16W J  |
|              | R2101    | NRSA63J-303X | MG RESISTOR   | 30kΩ 1/16W J  |              | R7084    | NRSA63J-222X | MG RESISTOR | 2.2kΩ 1/16W J  |
|              | R2102    | NRSA63J-303X | MG RESISTOR   | 30kΩ 1/16W J  |              | R7085    | NRSA63J-222X | MG RESISTOR | 2.2kΩ 1/16W J  |
|              | R2103    | NRSA63J-303X | MG RESISTOR   | 30kΩ 1/16W J  |              | R7086    | NRSA63J-222X | MG RESISTOR | 2.2kΩ 1/16W J  |
|              | R2110    | NRSA63J-752X | MG RESISTOR   | 7.5kΩ 1/16W J |              | R7087    | NRSA63J-562X | MG RESISTOR | 5.6kΩ 1/16W J  |
|              | R2111    | NRSA63J-752X | MG RESISTOR   | 7.5kΩ 1/16W J |              | R7089    | NRSA63J-222X | MG RESISTOR | 2.2kΩ 1/16W J  |
|              | R2112    | NRSA63J-152X | MG RESISTOR   | 1.5kΩ 1/16W J |              | R7090    | NRSA63J-102X | MG RESISTOR | 1kΩ 1/16W J    |
|              | R2113    | NRSA63J-222X | MG RESISTOR   | 2.2kΩ 1/16W J |              | R7091    | NRSA63J-103X | MG RESISTOR | 10kΩ 1/16W J   |
|              | R2114    | NRSA63J-303X | MG RESISTOR   | 30kΩ 1/16W J  |              | R7093    | NRSA63J-472X | MG RESISTOR | 4.7kΩ 1/16W J  |
|              | R2115    | NRSA63J-473X | MG RESISTOR   | 47kΩ 1/16W J  |              | R7094    | NRSA63J-222X | MG RESISTOR | 2.2kΩ 1/16W J  |
|              | R2116    | NRSA63J-622X | MG RESISTOR   | 6.2kΩ 1/16W J |              | R7095    | NRSA63J-222X | MG RESISTOR | 2.2kΩ 1/16W J  |
|              | R2117    | NRSA63J-182X | MG RESISTOR   | 1.8kΩ 1/16W J |              | R7096    | NRSA63J-222X | MG RESISTOR | 2.2kΩ 1/16W J  |
|              | R2140    | NRSA63J-471X | MG RESISTOR   | 470Ω 1/16W J  |              | R7214    | NRSA63J-103X | MG RESISTOR | 10kΩ 1/16W J   |
|              | R2141    | NRSA63J-182X | MG RESISTOR   | 1.8kΩ 1/16W J |              | R7229    | NRSA63J-103X | MG RESISTOR | 10kΩ 1/16W J   |
|              | R2147    | NRSA63J-104X | MG RESISTOR   | 100kΩ 1/16W J |              | R7230    | NRSA63J-103X | MG RESISTOR | 10kΩ 1/16W J   |
|              | R2207    | NRSA63J-513X | MG RESISTOR   | 51kΩ 1/16W J  |              | R7233    | NRSA63J-103X | MG RESISTOR | 10kΩ 1/16W J   |
|              | R2208    | NRSA63J-124X | MG RESISTOR   | 120kΩ 1/16W J |              | R7234    | NRSA63J-103X | MG RESISTOR | 10kΩ 1/16W J   |
|              | R2218    | QRE141J-471Y | C RESISTOR    | 470Ω 1/4W J   |              | R7235    | NRSA63J-103X | MG RESISTOR | 10kΩ 1/16W J   |
|              | R2221    | QRE141J-101Y | C RESISTOR    | 100Ω 1/4W J   |              | R7241    | NRSA63J-104X | MG RESISTOR | 100kΩ 1/16W J  |
|              | R2222    | NRSA63J-222X | MG RESISTOR   | 2.2kΩ 1/16W J |              | R7245    | NRSA63J-103X | MG RESISTOR | 10kΩ 1/16W J   |
|              | R2224    | NRSA63J-222X | MG RESISTOR   | 2.2kΩ 1/16W J |              | R7246    | NRSA63J-103X | MG RESISTOR | 10kΩ 1/16W J   |
|              | R2228    | NRSA63J-334X | MG RESISTOR   | 330kΩ 1/16W J |              | R7254    | NRSA63J-103X | MG RESISTOR | 10kΩ 1/16W J   |
|              | R2230    | NRSA63J-563X | MG RESISTOR   | 56kΩ 1/16W J  |              | R7296    | NRSA63J-103X | MG RESISTOR | 10kΩ 1/16W J   |
|              | R2231    | NRSA63J-563X | MG RESISTOR   | 56kΩ 1/16W J  |              | R7300    | NRSA63J-333X | MG RESISTOR | 33kΩ 1/16W J   |
|              | R2232    | NRSA63J-302X | MG RESISTOR   | 3kΩ 1/16W J   |              | R7301    | NRSA63J-473X | MG RESISTOR | 47kΩ 1/16W J   |
|              | R2500    | NRSA63J-103X | MG RESISTOR   | 10kΩ 1/16W J  |              | R7302    | NRSA63J-104X | MG RESISTOR | 100kΩ 1/16W J  |
|              | R2501    | NRSA63J-103X | MG RESISTOR   | 10kΩ 1/16W J  |              | R7303    | NRSA63J-103X | MG RESISTOR | 10kΩ 1/16W J   |
| △            | R2600    | QRZ9006-4R7X | F.RESISTOR    | 4.7Ω 1/4W J   |              | R7304    | NRSA63J-103X | MG RESISTOR | 10kΩ 1/16W J   |
|              | R2603    | NRSA63J-104X | MG RESISTOR   | 100kΩ 1/16W J |              | R7305    | NRSA63J-331X | MG RESISTOR | 330Ω 1/16W J   |
|              | R2607    | NRSA63J-153X | MG RESISTOR   | 15kΩ 1/16W J  |              | R7401    | NRSA63J-391X | MG RESISTOR | 390Ω 1/16W J   |
|              | R2608    | NRSA63J-153X | MG RESISTOR   | 15kΩ 1/16W J  |              | R7402    | NRSA63J-391X | MG RESISTOR | 390Ω 1/16W J   |
|              | R2609    | NRSA63J-123X | MG RESISTOR   | 12kΩ 1/16W J  |              | R7404    | NRSA63J-391X | MG RESISTOR | 390Ω 1/16W J   |
| △            | R2610    | QRZ9005-220X | FUSI RESISTOR | 22Ω           |              | R7405    | NRSA63J-391X | MG RESISTOR | 390Ω 1/16W J   |
|              | R2620    | QRE141J-1R0Y | C RESISTOR    | 1Ω 1/4W J     |              | R7407    | NRSA63J-391X | MG RESISTOR | 390Ω 1/16W J   |
|              | R2621    | QRE141J-1R0Y | C RESISTOR    | 1Ω 1/4W J     |              | R7408    | NRSA63J-391X | MG RESISTOR | 390Ω 1/16W J   |
|              | R5100    | NRSA63J-102X | MG RESISTOR   | 1kΩ 1/16W J   |              | R7500    | NRSA63J-103X | MG RESISTOR | 10kΩ 1/16W J   |
|              | R5101    | NRSA63J-102X | MG RESISTOR   | 1kΩ 1/16W J   |              | R7551    | NRSA63J-161X | MG RESISTOR | 160Ω 1/16W J   |
|              | R5102    | NRSA63J-122X | MG RESISTOR   | 1.2kΩ 1/16W J |              | R7600    | NRSA63J-103X | MG RESISTOR | 10kΩ 1/16W J   |
|              | R5103    | NRSA63J-152X | MG RESISTOR   | 1.5kΩ 1/16W J |              | R7601    | NRSA63J-102X | MG RESISTOR | 1kΩ 1/16W J    |
|              | R5104    | NRSA63J-222X | MG RESISTOR   | 2.2kΩ 1/16W J |              | R7606    | QRE141J-471Y | C RESISTOR  | 470Ω 1/4W J    |
|              | R5105    | NRSA63J-272X | MG RESISTOR   | 2.7kΩ 1/16W J |              | R7660    | QRE141J-203Y | C RESISTOR  | 20kΩ 1/4W J    |
|              | R5106    | NRSA63J-392X | MG RESISTOR   | 3.9kΩ 1/16W J |              | R7661    | QRE141J-203Y | C RESISTOR  | 20kΩ 1/4W J    |
|              | R5107    | NRSA63J-562X | MG RESISTOR   | 5.6kΩ 1/16W J |              | R7700    | NRSA63J-222X | MG RESISTOR | 2.2kΩ 1/16W J  |
|              | R5108    | NRSA63J-103X | MG RESISTOR   | 10kΩ 1/16W J  |              | R7701    | NRSA63J-222X | MG RESISTOR | 2.2kΩ 1/16W J  |
|              | R5109    | NRSA63J-562X | MG RESISTOR   | 5.6kΩ 1/16W J |              | R7704    | NRSA63J-103X | MG RESISTOR | 10kΩ 1/16W J   |
|              | R5110    | NRSA63J-392X | MG RESISTOR   | 3.9kΩ 1/16W J |              | R7705    | NRSA63J-103X | MG RESISTOR | 10kΩ 1/16W J   |
|              | R5111    | NRSA63J-272X | MG RESISTOR   | 2.7kΩ 1/16W J |              | R7706    | NRSA63J-104X | MG RESISTOR | 100kΩ 1/16W J  |
|              | R5112    | NRSA63J-222X | MG RESISTOR   | 2.2kΩ 1/16W J |              | R7777    | QRE141J-103Y | C RESISTOR  | 10kΩ 1/4W J    |
|              | R5113    | NRSA63J-152X | MG RESISTOR   | 1.5kΩ 1/16W J |              | R7803    | NRSA63J-152X | MG RESISTOR | 1.5kΩ 1/16W J  |
|              | R5114    | NRSA63J-122X | MG RESISTOR   | 1.2kΩ 1/16W J |              | R7804    | NRSA63J-103X | MG RESISTOR | 10kΩ 1/16W J   |
|              | R5115    | NRSA63J-102X | MG RESISTOR   | 1kΩ 1/16W J   |              | L5600    | QLL231K-470Y | COIL        | 47uH K         |
|              | R5116    | NRSA63J-102X | MG RESISTOR   | 1kΩ 1/16W J   |              | L5601    | QLL231K-470Y | COIL        | 47uH K         |
|              | R5700    | QRE141J-101Y | C RESISTOR    | 100Ω 1/4W J   |              | L7040    | QLL231K-4R7Y | COIL        | 4.7uH K        |
|              | R7018    | NRSA63J-102X | MG RESISTOR   | 1kΩ 1/16W J   |              | L7300    | QLL231K-100Y | COIL        | 10uH K         |
|              | R7029    | NRSA63J-222X | MG RESISTOR   | 2.2kΩ 1/16W J |              | L7500    | QLL231K-4R7Y | COIL        | 4.7uH K        |
|              | R7030    | NRSA63J-222X | MG RESISTOR   | 2.2kΩ 1/16W J |              | CN510    | QGF1016F3-05 | CONNECTOR   | FFC/FPC (1-5)  |
|              | R7031    | NRSA63J-222X | MG RESISTOR   | 2.2kΩ 1/16W J |              | CN550    | QGF1016F3-23 | CONNECTOR   | FFC/FPC (1-23) |
|              | R7033    | NRSA63J-222X | MG RESISTOR   | 2.2kΩ 1/16W J |              | CN551    | QGF1016F3-05 | CONNECTOR   | FFC/FPC (1-5)  |
|              | R7034    | NRSA63J-222X | MG RESISTOR   | 2.2kΩ 1/16W J |              | CN552    | QGF1016F3-09 | CONNECTOR   | FFC/FPC (1-9)  |
|              | R7036    | NRSA63J-222X | MG RESISTOR   | 2.2kΩ 1/16W J |              | CN570    | QGF1016F3-09 | CONNECTOR   | FFC/FPC (1-9)  |
|              | R7037    | NRSA63J-222X | MG RESISTOR   | 2.2kΩ 1/16W J |              | CN700    | QGF1036C1-23 | CONNECTOR   | FFC/FPC (1-23) |
|              | R7041    | NRSA63J-222X | MG RESISTOR   | 2.2kΩ 1/16W J |              | CN750    | QGA2501C1-02 | CONNECTOR   | W-B (1-2)      |
|              | R7045    | NRSA63J-222X | MG RESISTOR   | 2.2kΩ 1/16W J |              | CN760    | QGA2501C1-05 | CONNECTOR   | W-B (1-5)      |
|              | R7046    | NRSA63J-222X | MG RESISTOR   | 2.2kΩ 1/16W J |              | CN761    | QGB2510J1-09 | CONNECTOR   | B-B (1-9)      |
|              | R7047    | NRSA63J-222X | MG RESISTOR   | 2.2kΩ 1/16W J |              | CN762    | QGB2510J1-12 | CONNECTOR   | B-B (1-12)     |
|              | R7048    | NRSA63J-222X | MG RESISTOR   | 2.2kΩ 1/16W J |              | CN765    | QGF1036C1-17 | CONNECTOR   | FFC/FPC (1-17) |
|              | R7052    | NRSA63J-101X | MG RESISTOR   | 100Ω 1/16W J  |              | CN766    | QGF1201F3-11 | CONNECTOR   | FFC/FPC (1-11) |
|              | R7053    | NRSA63J-101X | MG RESISTOR   | 100Ω 1/16W J  |              | DI570    | QLF0117-002  | FL TUBE     |                |
|              | R7054    | NRSA63J-222X | MG RESISTOR   | 2.2kΩ 1/16W J |              |          |              |             |                |
|              | R7055    | NRSA63J-122X | MG RESISTOR   | 1.2kΩ 1/16W J |              |          |              |             |                |

| △ Symbol No. | Part No.     | Part Name      | Description | Local | △ Symbol No. | Part No.     | Part Name   | Description   | Local |
|--------------|--------------|----------------|-------------|-------|--------------|--------------|-------------|---------------|-------|
| J2000        | QNB0118-002  | SPK.TERMINAL   |             |       | D3102        | 1SS133-T2    | DIODE       |               |       |
| J2100        | QNN0420-001  | SURROUND JACK  |             |       | D3103        | 1SS133-T2    | DIODE       |               |       |
| J5100        | QSW0993-001  | ROTARY ENCODER |             |       | △ D3104      | MTZJ9.1B-T2  | Z DIODE     |               |       |
| J5600        | QNS0170-001  | HEADPHONE JACK |             |       | △ D3300      | MTZJ11C-T2   | Z DIODE     |               |       |
| K5600        | QQR0621-001Z | COIL           |             |       | D3301        | 1SS133-T2    | DIODE       |               |       |
| K7023        | QQR0621-001Z | COIL           |             |       | △ D3302      | MTZJ11C-T2   | Z DIODE     |               |       |
| K7025        | QQR0621-001Z | COIL           |             |       | D3303        | 1SS133-T2    | DIODE       |               |       |
| K7049        | QQR0621-001Z | COIL           |             |       | △ D3304      | MTZJ3.6B-T2  | Z DIODE     |               |       |
| K7300        | QQR0621-001Z | COIL           |             |       |              |              |             |               |       |
| PP700        | QZW0038-001  | WIRE CLAMP     |             |       | C1100        | QETM1EM-108  | E CAPACITOR | 1000uF 25V M  |       |
| RY200        | QSK0109-001  | RELAY          |             |       | △ C1101      | QCZ9105-472  | C CAPACITOR | 4700pF 250V M |       |
| S5100        | QSW0651-001Z | TACT SWITCH    |             |       | C1200        | QKCC1CM-107Z | E CAPACITOR | 100uF 16V M   |       |
| S5101        | QSW0651-001Z | TACT SWITCH    |             |       | C1300        | QFLC1HJ-104Z | M CAPACITOR | 0.1uF 50V J   |       |
| S5102        | QSW0651-001Z | TACT SWITCH    |             |       | C1301        | QFLC1HJ-104Z | M CAPACITOR | 0.1uF 50V J   |       |
| S5103        | QSW0651-001Z | TACT SWITCH    |             |       | C1302        | QFLC1HJ-104Z | M CAPACITOR | 0.1uF 50V J   |       |
| S5104        | QSW0651-001Z | TACT SWITCH    |             |       | C1303        | QFLC1HJ-104Z | M CAPACITOR | 0.1uF 50V J   |       |
| S5105        | QSW0651-001Z | TACT SWITCH    |             |       | C1400        | QFLC1HJ-104Z | M CAPACITOR | 0.1uF 50V J   |       |
| S5106        | QSW0651-001Z | TACT SWITCH    |             |       | C1401        | QFLC1HJ-104Z | M CAPACITOR | 0.1uF 50V J   |       |
| S5107        | QSW0651-001Z | TACT SWITCH    |             |       | C1402        | QFLC1HJ-104Z | M CAPACITOR | 0.1uF 50V J   |       |
| S5108        | QSW0651-001Z | TACT SWITCH    |             |       | C1403        | QFLC1HJ-104Z | M CAPACITOR | 0.1uF 50V J   |       |
| S5109        | QSW0651-001Z | TACT SWITCH    |             |       | C1500        | QETN1HM-106Z | E CAPACITOR | 10uF 50V M    |       |
| S5110        | QSW0651-001Z | TACT SWITCH    |             |       | C1600        | QDGB1HK-102Y | C CAPACITOR | 1000pF 50V K  |       |
| S5111        | QSW0651-001Z | TACT SWITCH    |             |       | C3000        | QEZ0570-228  | E CAPACITOR | 2200uF        |       |
| S5112        | QSW0651-001Z | TACT SWITCH    |             |       | C3001        | QEZ0570-228  | E CAPACITOR | 2200uF        |       |
| S5113        | QSW0651-001Z | TACT SWITCH    |             |       | C3002        | QETM1EM-228  | E CAPACITOR | 2200uF 25V M  |       |
| S5114        | QSW0651-001Z | TACT SWITCH    |             |       | C3100        | QCBB1HK-101Y | C CAPACITOR | 100pF 50V K   |       |
| S5115        | QSW0651-001Z | TACT SWITCH    |             |       | C3101        | QCBB1HK-101Y | C CAPACITOR | 100pF 50V K   |       |
| S5116        | QSW0651-001Z | TACT SWITCH    |             |       | C3102        | QTE1V06-106Z | E CAPACITOR | 10uF 35V      |       |
| S5200        | QSW0651-001Z | TACT SWITCH    |             |       | C3103        | QTE1V06-106Z | E CAPACITOR | 10uF 35V      |       |
| X7000        | QAX0718-001Z | CRYSTAL        | 8.000000MHz |       | C3104        | QKCC1HM-475Z | E CAPACITOR | 4.7uF 50V M   |       |

## Power board

Block No. [0][2][0][0]

| △ Symbol No. | Part No.      | Part Name       | Description | Local | △ Symbol No. | Part No.      | Part Name      | Description   | Local |
|--------------|---------------|-----------------|-------------|-------|--------------|---------------|----------------|---------------|-------|
| △ IC340      | STK432-070    | IC              |             |       | C3105        | QCBB1HK-101Y  | C CAPACITOR    | 100pF 50V K   |       |
| △ IC341      | KIA7810API    | IC              |             |       | C3106        | QENC1HM-106Z  | BP E CAPACITOR | 10uF 50V M    |       |
| △ IC342      | KIA7808API    | IC              |             |       | C3107        | QCSB1HJ-100Y  | C CAPACITOR    | 10pF 50V J    |       |
| △ IC343      | PQ033RD01SZ   | IC              |             |       | C3109        | QETN1HM-476Z  | E CAPACITOR    | 47uF 50V M    |       |
| Q1100        | KTC3199/GLJ-T | TRANSISTOR      |             |       | C3110        | QFLC1HJ-104Z  | M CAPACITOR    | 0.1uF 50V J   |       |
| Q1200        | KTA1023/OY-T  | TRANSISTOR      |             |       | C3111        | QFLC1HJ-104Z  | M CAPACITOR    | 0.1uF 50V J   |       |
| Q1201        | KTC3199/GLJ-T | TRANSISTOR      |             |       | C3112        | QFLC1HJ-223Z  | M CAPACITOR    | 0.022uF 50V J |       |
| Q1202        | KTC3199/GLJ-T | TRANSISTOR      |             |       | C3113        | FQCF31HZ-223Z | D.CAPACITOR    |               |       |
| Q1500        | KTC3199/GLJ-T | TRANSISTOR      |             |       | C3114        | QETN1HM-106Z  | E CAPACITOR    | 10uF 50V M    |       |
| Q3100        | KRA102M-T     | DIGI TRANSISTOR |             |       | C3115        | QETN1HM-106Z  | E CAPACITOR    | 10uF 50V M    |       |
| Q3101        | 2SC3576-JVC-T | TRANSISTOR      |             |       | C3116        | FQCF31HZ-223Z | D.CAPACITOR    |               |       |
| Q3102        | 2SC3576-JVC-T | TRANSISTOR      |             |       | C3117        | QENC1HM-106Z  | BP E CAPACITOR | 10uF 50V M    |       |
| Q3103        | KTA1268/GLJ-T | TRANSISTOR      |             |       | C3118        | QCBB1HK-101Y  | C CAPACITOR    | 100pF 50V K   |       |
| Q3104        | KTA1268/GLJ-T | TRANSISTOR      |             |       | C3119        | QFLC1HJ-104Z  | M CAPACITOR    | 0.1uF 50V J   |       |
| Q3105        | KTC3199/GLJ-T | TRANSISTOR      |             |       | C3120        | QFLC1HJ-104Z  | M CAPACITOR    | 0.1uF 50V J   |       |
| Q3106        | KTC3199/GLJ-T | TRANSISTOR      |             |       | C3121        | QCSB1HJ-100Y  | C CAPACITOR    | 10pF 50V J    |       |
| Q3107        | KTA1267/YG-T  | TRANSISTOR      |             |       | C3122        | QETN1HM-476Z  | E CAPACITOR    | 47uF 50V M    |       |
| Q3200        | KRA102M-T     | DIGI TRANSISTOR |             |       | C3123        | QETN1HM-226Z  | E CAPACITOR    | 22uF 50V M    |       |
| Q3201        | 2SC3576-JVC-T | TRANSISTOR      |             |       | C3124        | FQCF31HZ-223Z | D.CAPACITOR    |               |       |
| Q3202        | 2SC3576-JVC-T | TRANSISTOR      |             |       | C3125        | QETN1HM-226Z  | E CAPACITOR    | 22uF 50V M    |       |
| D1100        | 1N4003S-T5    | SI DIODE        |             |       | C3126        | QETN1VM-476Z  | E CAPACITOR    | 47uF 35V M    |       |
| D1101        | 1SS133-T2     | DIODE           |             |       | C3200        | QETN1HM-475Z  | E CAPACITOR    | 4.7uF 50V M   |       |
| D1200        | 1SS133-T2     | DIODE           |             |       | C3300        | QETN1HM-106Z  | E CAPACITOR    | 10uF 50V M    |       |
| D1201        | MTZJ5.6B-T2   | Z DIODE         |             |       | C3301        | QETN1HM-106Z  | E CAPACITOR    | 10uF 50V M    |       |
| △ D1300      | 1N5402M-20    | DIODE           |             |       | C3302        | QETN1HM-106Z  | E CAPACITOR    | 10uF 50V M    |       |
| △ D1301      | 1N5402M-20    | DIODE           |             |       | C3303        | QETN1HM-106Z  | E CAPACITOR    | 10uF 50V M    |       |
| △ D1302      | 1N5402M-20    | DIODE           |             |       | C3304        | QETN1HM-106Z  | E CAPACITOR    | 10uF 50V M    |       |
| △ D1303      | 1N5402M-20    | DIODE           |             |       | C3306        | QETN1HM-106Z  | E CAPACITOR    | 10uF 50V M    |       |
| △ D1400      | 1N4003S-T5    | SI DIODE        |             |       | R1101        | QRE141J-332Y  | C RESISTOR     | 3.3kΩ 1/4W J  |       |
| △ D1401      | 1N4003S-T5    | SI DIODE        |             |       | △ R1102      | QRZ9037-335   | COMP RESISTOR  | 3.3MΩ 1/2W K  |       |
| △ D1402      | 1N4003S-T5    | SI DIODE        |             |       | R1200        | QRE141J-103Y  | C RESISTOR     | 10kΩ 1/4W J   |       |
| △ D1403      | 1N4003S-T5    | SI DIODE        |             |       | R1201        | QRE141J-102Y  | C RESISTOR     | 1kΩ 1/4W J    |       |
| D1500        | 1SS133-T2     | DIODE           |             |       | R1202        | QRE141J-102Y  | C RESISTOR     | 1kΩ 1/4W J    |       |
| D1501        | MTZJ5.1B-T2   | Z DIODE         |             |       | R1203        | QRE141J-102Y  | C RESISTOR     | 1kΩ 1/4W J    |       |
| △ D3100      | MTZJ9.1B-T2   | Z DIODE         |             |       | R1500        | QRE141J-103Y  | C RESISTOR     | 10kΩ 1/4W J   |       |
| D3101        | 1SS133-T2     | DIODE           |             |       | R1501        | QRE141J-102Y  | C RESISTOR     | 1kΩ 1/4W J    |       |
|              |               |                 |             |       | R1502        | QRE141J-473Y  | C RESISTOR     | 47kΩ 1/4W J   |       |
|              |               |                 |             |       | R3100        | QRE141J-472Y  | C RESISTOR     | 4.7kΩ 1/4W J  |       |
|              |               |                 |             |       | R3101        | QRE141J-472Y  | C RESISTOR     | 4.7kΩ 1/4W J  |       |
|              |               |                 |             |       | R3102        | QRE141J-203Y  | C RESISTOR     | 20kΩ 1/4W J   |       |
|              |               |                 |             |       | R3103        | QRE141J-221Y  | C RESISTOR     | 220Ω 1/4W J   |       |
|              |               |                 |             |       | R3104        | QRE141J-103Y  | C RESISTOR     | 10kΩ 1/4W J   |       |
|              |               |                 |             |       | R3105        | QRE141J-103Y  | C RESISTOR     | 10kΩ 1/4W J   |       |
|              |               |                 |             |       | R3106        | QRE141J-473Y  | C RESISTOR     | 47kΩ 1/4W J   |       |
|              |               |                 |             |       | R3107        | QRE141J-473Y  | C RESISTOR     | 47kΩ 1/4W J   |       |
|              |               |                 |             |       | R3108        | QRE141J-473Y  | C RESISTOR     | 47kΩ 1/4W J   |       |
|              |               |                 |             |       | R3109        | FQRJ143J-821X | UNF C RESISTOR |               |       |

| △ Symbol No. | Part No.      | Part Name      | Description  | Local | △ Symbol No. | Part No.        | Part Name   | Description   | Local |
|--------------|---------------|----------------|--------------|-------|--------------|-----------------|-------------|---------------|-------|
| △ R3110      | QRJ146J-100X  | UNF C RESISTOR | 10Ω 1/4W J   |       | IC251        | MN101C61GMB3    | IC          |               |       |
| R3111        | QRJ146J-100X  | UNF C RESISTOR | 10Ω 1/4W J   |       | IC601        | AN22002A-W      | IC          |               |       |
| R3112        | QRE141J-333Y  | C RESISTOR     | 33kΩ 1/4W J  |       | IC651        | MN6627911AC1    | IC          |               |       |
| R3113        | QRT01DJ-R22X  | MF RESISTOR    | 0.22Ω 1W J   |       | IC671        | A42L2604V-45L   | IC          |               |       |
| R3114        | QRT01DJ-R22X  | MF RESISTOR    | 0.22Ω 1W J   |       | IC681        | SN74AHC1G32DC-X | IC          |               |       |
| R3115        | QRJ146J-101X  | UNF C RESISTOR | 100Ω 1/4W J  |       | IC682        | SN74LV08APW-X   | IC          |               |       |
| R3116        | QRE141J-221Y  | C RESISTOR     | 220Ω 1/4W J  |       | IC691        | XC6206P182M-X   | IC          |               |       |
| R3117        | QRE141J-103Y  | C RESISTOR     | 10kΩ 1/4W J  |       | IC801        | AN4801SB-W      | IC          |               |       |
| R3118        | QRE141J-222Y  | C RESISTOR     | 2.2kΩ 1/4W J |       | Q291         | 2SB1424/QR/-W   | TRANSISTOR  |               |       |
| R3119        | QRE141J-221Y  | C RESISTOR     | 220Ω 1/4W J  |       | Q631         | 2SA1037AK/RS/-X | TRANSISTOR  |               |       |
| R3120        | QRE141J-222Y  | C RESISTOR     | 2.2kΩ 1/4W J |       | C201         | NCB31CK-104X    | C CAPACITOR | 0.1uF 16V K   |       |
| R3121        | QRT01DJ-R22X  | MF RESISTOR    | 0.22Ω 1W J   |       | C251         | NCB31CK-104X    | C CAPACITOR | 0.1uF 16V K   |       |
| R3122        | QRT01DJ-R22X  | MF RESISTOR    | 0.22Ω 1W J   |       | C252         | QEKJ0JM-476Z    | E CAPACITOR | 47uF 6.3V M   |       |
| R3123        | QRJ146J-101X  | UNF C RESISTOR | 100Ω 1/4W J  |       | C253         | NCB31CK-104X    | C CAPACITOR | 0.1uF 16V K   |       |
| R3124        | QRE141J-103Y  | C RESISTOR     | 10kΩ 1/4W J  |       | C255         | NCB31CK-104X    | C CAPACITOR | 0.1uF 16V K   |       |
| R3125        | QRJ146J-100X  | UNF C RESISTOR | 10Ω 1/4W J   |       | C258         | NCB31CK-103X    | C CAPACITOR | 0.01uF 16V K  |       |
| △ R3126      | QRJ146J-100X  | UNF C RESISTOR | 10Ω 1/4W J   |       | C259         | NDC31HJ-101X    | C CAPACITOR | 100pF 50V J   |       |
| R3127        | QRE141J-473Y  | C RESISTOR     | 47kΩ 1/4W J  |       | C291         | QEKJ0JM-476Z    | E CAPACITOR | 47uF 6.3V M   |       |
| R3128        | QRE141J-124Y  | C RESISTOR     | 120kΩ 1/4W J |       | C603         | NCB31CK-104X    | C CAPACITOR | 0.1uF 16V K   |       |
| R3129        | FQRJ143J-821X | UNF C RESISTOR |              |       | C604         | NCB31CK-104X    | C CAPACITOR | 0.1uF 16V K   |       |
| R3130        | QRE141J-103Y  | C RESISTOR     | 10kΩ 1/4W J  |       | C605         | NDC31HJ-331X    | C CAPACITOR | 330pF 50V J   |       |
| R3131        | QRE141J-104Y  | C RESISTOR     | 100kΩ 1/4W J |       | C606         | NDC31HJ-151X    | C CAPACITOR | 150pF 50V J   |       |
| △ R3132      | QRZ9006-4R7X  | F.RESISTOR     | 4.7Ω 1/4W J  |       | C610         | NCB31CK-563X    | C CAPACITOR | 0.056uF 16V K |       |
| R3133        | QRE141J-823Y  | C RESISTOR     | 82kΩ 1/4W J  |       | C611         | NCB31CK-104X    | C CAPACITOR | 0.1uF 16V K   |       |
| R3134        | QRE141J-104Y  | C RESISTOR     | 100kΩ 1/4W J |       | C612         | NCB31CK-104X    | C CAPACITOR | 0.1uF 16V K   |       |
| R3135        | QRE141J-104Y  | C RESISTOR     | 100kΩ 1/4W J |       | C614         | NCB31CK-393X    | C CAPACITOR | 0.039uF 16V K |       |
| R3136        | QRE141J-122Y  | C RESISTOR     | 1.2kΩ 1/4W J |       | C615         | NCB31HK-272X    | C CAPACITOR | 2700pF 50V K  |       |
| R3137        | QRE141J-103Y  | C RESISTOR     | 10kΩ 1/4W J  |       | C616         | NCB31HK-182X    | C CAPACITOR | 1800pF 50V K  |       |
| R3138        | QRJ146J-100X  | UNF C RESISTOR | 10Ω 1/4W J   |       | C621         | NCB31CK-104X    | C CAPACITOR | 0.1uF 16V K   |       |
| R3150        | QRE141J-472Y  | C RESISTOR     | 4.7kΩ 1/4W J |       | C622         | QEKJ1AM-107Z    | E CAPACITOR | 100uF 10V M   |       |
| R3200        | FQRJ143J-821X | UNF C RESISTOR |              |       | C623         | NCB31CK-104X    | C CAPACITOR | 0.1uF 16V K   |       |
| R3201        | FQRJ143J-821X | UNF C RESISTOR |              |       | C624         | QEKJ1AM-107Z    | E CAPACITOR | 100uF 10V M   |       |
| R3202        | FQRJ143J-821X | UNF C RESISTOR |              |       | C631         | QEKJ1CM-106Z    | E CAPACITOR | 10uF 16V M    |       |
| R3203        | FQRJ143J-821X | UNF C RESISTOR |              |       | C632         | NCB31CK-104X    | C CAPACITOR | 0.1uF 16V K   |       |
| R3204        | QRE141J-221Y  | C RESISTOR     | 220Ω 1/4W J  |       | C633         | NCB31EK-223X    | C CAPACITOR | 0.022uF 25V K |       |
| R3206        | QRE141J-473Y  | C RESISTOR     | 47kΩ 1/4W J  |       | C641         | NDC31HJ-101X    | C CAPACITOR | 100pF 50V J   |       |
| R3207        | QRE141J-103Y  | C RESISTOR     | 10kΩ 1/4W J  |       | C651         | QEKJ1AM-107Z    | E CAPACITOR | 100uF 10V M   |       |
| R3208        | QRE141J-103Y  | C RESISTOR     | 10kΩ 1/4W J  |       | C652         | NCB31CK-104X    | C CAPACITOR | 0.1uF 16V K   |       |
| R3300        | QRT01DJ-R47X  | MF RESISTOR    | 0.47Ω 1W J   |       | C653         | NCB31CK-104X    | C CAPACITOR | 0.1uF 16V K   |       |
| R3301        | QRE141J-103Y  | C RESISTOR     | 10kΩ 1/4W J  |       | C654         | NCB31CK-104X    | C CAPACITOR | 0.1uF 16V K   |       |
| R3302        | QRE141J-103Y  | C RESISTOR     | 10kΩ 1/4W J  |       | C655         | NCB31CK-104X    | C CAPACITOR | 0.1uF 16V K   |       |
| R3303        | QRT01DJ-R33X  | MF RESISTOR    | 0.33Ω 1W J   |       | C656         | NCB31CK-104X    | C CAPACITOR | 0.1uF 16V K   |       |
| R3304        | QRE141J-103Y  | C RESISTOR     | 10kΩ 1/4W J  |       | C657         | NDC31HJ-471X    | C CAPACITOR | 470pF 50V J   |       |
| R3305        | QRE141J-183Y  | C RESISTOR     | 18kΩ 1/4W J  |       | C658         | NCB31CK-104X    | C CAPACITOR | 0.1uF 16V K   |       |
| R3310        | QRE141J-272Y  | C RESISTOR     | 2.7kΩ 1/4W J |       | C659         | NCB31EK-223X    | C CAPACITOR | 0.022uF 25V K |       |
| L3100        | QQLZ035-R39   | COIL           | 0.39uH       |       | C661         | NCB31HK-102X    | C CAPACITOR | 1000pF 50V K  |       |
| L3101        | QQLZ035-R39   | COIL           | 0.39uH       |       | C662         | NCB21CK-124X    | C CAPACITOR | 0.12uF 16V K  |       |
| △ T1100      | QQT0253-012   | POWER TRANSF   |              |       | C663         | NCB31CK-104X    | C CAPACITOR | 0.1uF 16V K   |       |
| △ CN100      | QGA7901F2-02  | CONNECTOR      | W-B (1-2)    |       | C664         | QEKJ1AM-107Z    | E CAPACITOR | 100uF 10V M   |       |
| CN101        | QGA7901F2-02  | CONNECTOR      | W-B (1-2)    |       | C665         | NCB31CK-104X    | C CAPACITOR | 0.1uF 16V K   |       |
| CN102        | QGA3901C1-05  | CONNECTOR      | W-B (1-5)    |       | C666         | QEKJ1AM-107Z    | E CAPACITOR | 100uF 10V M   |       |
| CN103        | QGB2510J1-14  | CONNECTOR      | B-B (1-14)   |       | C667         | NCB31CK-104X    | C CAPACITOR | 0.1uF 16V K   |       |
| CN104        | QGA2501F1-04  | CONNECTOR      | W-B (1-4)    |       | C669         | NCB31HK-272X    | C CAPACITOR | 2700pF 50V K  |       |
| CN350        | QGB2510K2-14  | CONNECTOR      | B-B (1-14)   |       | C672         | NCB31HK-272X    | C CAPACITOR | 2700pF 50V K  |       |
| CN351        | QGB2510K2-12  | CONNECTOR      | B-B (1-12)   |       | C673         | NCB31CK-104X    | C CAPACITOR | 0.1uF 16V K   |       |
| CN352        | QGB2510K2-09  | CONNECTOR      | B-B (1-9)    |       | C674         | NCB31CK-104X    | C CAPACITOR | 0.1uF 16V K   |       |
| EP300        | QNZ0136-001Z  | EARTH PLATE    |              |       | C675         | NDC31HJ-100X    | C CAPACITOR | 10pF 50V J    |       |
| △ LF110      | QQR1321-001   | LINE FILTER    |              |       | C676         | NDC31HJ-100X    | C CAPACITOR | 10pF 50V J    |       |
| PP300        | QZW0038-001   | WIRE CLAMP     |              |       | C677         | NCB31CK-104X    | C CAPACITOR | 0.1uF 16V K   |       |
| △ RY110      | QSK0124-001   | RELAY          |              |       | C678         | QEKJ1AM-107Z    | E CAPACITOR | 100uF 10V M   |       |
| TH332        | QAD0015-103Z  | THERMISTOR     | 10kΩ         |       | C679         | NCB21CK-105X    | C CAPACITOR | 1uF 16V K     |       |
| Z1100        | QNG0003-001Z  | FUSE CLIP      |              |       | C681         | NCB21CK-105X    | C CAPACITOR | 1uF 16V K     |       |
| Z1101        | QNG0003-001Z  | FUSE CLIP      |              |       | C801         | QERF1AM-227Z    | E CAPACITOR | 220uF 10V M   |       |
| Z1400        | QNG0003-001Z  | FUSE CLIP      |              |       | C802         | NCB31CK-104X    | C CAPACITOR | 0.1uF 16V K   |       |
| Z1401        | QNG0003-001Z  | FUSE CLIP      |              |       | C803         | NCB31AK-474X    | C CAPACITOR | 0.47uF 10V K  |       |
|              |               |                |              |       | C804         | NCB31CK-103X    | C CAPACITOR | 0.01uF 16V K  |       |
|              |               |                |              |       | C805         | NCB31HK-102X    | C CAPACITOR | 1000pF 50V K  |       |
|              |               |                |              |       | C806         | NCB31HK-152X    | C CAPACITOR | 1500pF 50V K  |       |
|              |               |                |              |       | R253         | NRSA63J-103X    | MG RESISTOR | 10kΩ 1/16W J  |       |
|              |               |                |              |       | R255         | NRSA63J-102X    | MG RESISTOR | 1kΩ 1/16W J   |       |
|              |               |                |              |       | R256         | NRSA63J-102X    | MG RESISTOR | 1kΩ 1/16W J   |       |
|              |               |                |              |       | R257         | NRSA63J-0R0X    | MG RESISTOR | 0Ω 1/16W J    |       |
|              |               |                |              |       | R258         | NRSA63J-102X    | MG RESISTOR | 1kΩ 1/16W J   |       |
|              |               |                |              |       | R259         | NRSA63J-103X    | MG RESISTOR | 10kΩ 1/16W J  |       |
|              |               |                |              |       | R261         | NRSA63J-102X    | MG RESISTOR | 1kΩ 1/16W J   |       |

## CD servo board

Block No. [0][3][0][0]

| △ Symbol No. | Part No.      | Part Name | Description | Local |
|--------------|---------------|-----------|-------------|-------|
| IC201        | BR24L08FV-W-X | IC        |             |       |

| Symbol No. | Part No.     | Part Name   | Description   | Local |
|------------|--------------|-------------|---------------|-------|
| R262       | NRSA63J-102X | MG RESISTOR | 1kΩ 1/16W J   |       |
| R263       | NRSA63J-102X | MG RESISTOR | 1kΩ 1/16W J   |       |
| R264       | NRSA63J-102X | MG RESISTOR | 1kΩ 1/16W J   |       |
| R265       | NRSA63J-103X | MG RESISTOR | 10kΩ 1/16W J  |       |
| R267       | NRSA63J-102X | MG RESISTOR | 1kΩ 1/16W J   |       |
| R271       | NRSA63J-102X | MG RESISTOR | 1kΩ 1/16W J   |       |
| R274       | NRSA63J-102X | MG RESISTOR | 1kΩ 1/16W J   |       |
| R278       | NRSA63J-102X | MG RESISTOR | 1kΩ 1/16W J   |       |
| R281       | NRSA63J-102X | MG RESISTOR | 1kΩ 1/16W J   |       |
| R282       | NRSA63J-102X | MG RESISTOR | 1kΩ 1/16W J   |       |
| R283       | NRSA63J-102X | MG RESISTOR | 1kΩ 1/16W J   |       |
| R284       | NRSA63J-102X | MG RESISTOR | 1kΩ 1/16W J   |       |
| R285       | NRSA63J-102X | MG RESISTOR | 1kΩ 1/16W J   |       |
| R286       | NRSA63J-102X | MG RESISTOR | 1kΩ 1/16W J   |       |
| R287       | NRSA63J-102X | MG RESISTOR | 1kΩ 1/16W J   |       |
| R288       | NRSA63J-102X | MG RESISTOR | 1kΩ 1/16W J   |       |
| R289       | NRSA63J-102X | MG RESISTOR | 1kΩ 1/16W J   |       |
| R290       | NRSA63J-102X | MG RESISTOR | 1kΩ 1/16W J   |       |
| R291       | NRSA63J-102X | MG RESISTOR | 1kΩ 1/16W J   |       |
| R292       | NRSA63J-102X | MG RESISTOR | 1kΩ 1/16W J   |       |
| R293       | NRSA63J-473X | MG RESISTOR | 47kΩ 1/16W J  |       |
| R294       | NRSA63J-473X | MG RESISTOR | 47kΩ 1/16W J  |       |
| R295       | NRSA63J-473X | MG RESISTOR | 47kΩ 1/16W J  |       |
| R296       | NRSA63J-103X | MG RESISTOR | 10kΩ 1/16W J  |       |
| R297       | NRSA63J-122X | MG RESISTOR | 1.2kΩ 1/16W J |       |
| R298       | NRSA63J-103X | MG RESISTOR | 10kΩ 1/16W J  |       |
| R601       | NRSA63J-562X | MG RESISTOR | 5.6kΩ 1/16W J |       |
| R602       | NRSA63J-392X | MG RESISTOR | 3.9kΩ 1/16W J |       |
| R603       | NRSA63J-333X | MG RESISTOR | 33kΩ 1/16W J  |       |
| R604       | NRSA63J-104X | MG RESISTOR | 100kΩ 1/16W J |       |
| R605       | NRSA63J-0R0X | MG RESISTOR | 0Ω 1/16W J    |       |
| R606       | NRSA63J-0R0X | MG RESISTOR | 0Ω 1/16W J    |       |
| R607       | NRSA63J-223X | MG RESISTOR | 22kΩ 1/16W J  |       |
| R608       | NRSA63J-223X | MG RESISTOR | 22kΩ 1/16W J  |       |
| R611       | NRSA63J-392X | MG RESISTOR | 3.9kΩ 1/16W J |       |
| R613       | NRSA63J-392X | MG RESISTOR | 3.9kΩ 1/16W J |       |
| R617       | NRSA63J-122X | MG RESISTOR | 1.2kΩ 1/16W J |       |
| R621       | NRSA63J-0R0X | MG RESISTOR | 0Ω 1/16W J    |       |
| R622       | NRSA63J-0R0X | MG RESISTOR | 0Ω 1/16W J    |       |
| R624       | NRSA63J-0R0X | MG RESISTOR | 0Ω 1/16W J    |       |
| R625       | NRSA63J-0R0X | MG RESISTOR | 0Ω 1/16W J    |       |
| R631       | NRSA63J-0R0X | MG RESISTOR | 0Ω 1/16W J    |       |
| R632       | NRSA63J-3R9X | MG RESISTOR | 3.9Ω 1/16W J  |       |
| R634       | NRSA63J-3R9X | MG RESISTOR | 3.9Ω 1/16W J  |       |
| R635       | NRSA63J-100X | MG RESISTOR | 10Ω 1/16W J   |       |
| R651       | NRSA63J-473X | MG RESISTOR | 47kΩ 1/16W J  |       |
| R652       | NRSA63J-0R0X | MG RESISTOR | 0Ω 1/16W J    |       |
| R653       | NRSA63J-223X | MG RESISTOR | 22kΩ 1/16W J  |       |
| R654       | NRSA63J-823X | MG RESISTOR | 82kΩ 1/16W J  |       |
| R655       | NRSA63J-472X | MG RESISTOR | 4.7kΩ 1/16W J |       |
| R656       | NRSA63J-104X | MG RESISTOR | 100kΩ 1/16W J |       |
| R657       | NRSA63J-561X | MG RESISTOR | 560Ω 1/16W J  |       |
| R658       | NRSA63J-0R0X | MG RESISTOR | 0Ω 1/16W J    |       |
| R659       | NRSA63J-153X | MG RESISTOR | 15kΩ 1/16W J  |       |
| R661       | NRSA63J-153X | MG RESISTOR | 15kΩ 1/16W J  |       |
| R662       | NRSA02J-101X | MG RESISTOR | 100Ω 1/10W J  |       |
| R663       | NRSA63J-273X | MG RESISTOR | 27kΩ 1/16W J  |       |
| R664       | NRSA63J-0R0X | MG RESISTOR | 0Ω 1/16W J    |       |
| R665       | NRSA63J-681X | MG RESISTOR | 680Ω 1/16W J  |       |
| R666       | NRSA63J-561X | MG RESISTOR | 560Ω 1/16W J  |       |
| R667       | NRSA63J-681X | MG RESISTOR | 680Ω 1/16W J  |       |
| R668       | NRSA63J-561X | MG RESISTOR | 560Ω 1/16W J  |       |
| R669       | NRSA63J-102X | MG RESISTOR | 1kΩ 1/16W J   |       |
| R671       | NRSA63J-333X | MG RESISTOR | 33kΩ 1/16W J  |       |
| R672       | NRSA63J-102X | MG RESISTOR | 1kΩ 1/16W J   |       |
| R673       | NRSA63J-102X | MG RESISTOR | 1kΩ 1/16W J   |       |
| R674       | NRSA63J-102X | MG RESISTOR | 1kΩ 1/16W J   |       |
| R675       | NRSA63J-102X | MG RESISTOR | 1kΩ 1/16W J   |       |
| R676       | NRSA63J-0R0X | MG RESISTOR | 0Ω 1/16W J    |       |
| R677       | NRSA63J-0R0X | MG RESISTOR | 0Ω 1/16W J    |       |
| R678       | NRSA63J-0R0X | MG RESISTOR | 0Ω 1/16W J    |       |
| R679       | NRSA63J-0R0X | MG RESISTOR | 0Ω 1/16W J    |       |
| R681       | NRSA63J-103X | MG RESISTOR | 10kΩ 1/16W J  |       |
| R682       | NRSA63J-101X | MG RESISTOR | 100Ω 1/16W J  |       |
| R801       | NRSA63J-472X | MG RESISTOR | 4.7kΩ 1/16W J |       |
| R802       | NRSA63J-222X | MG RESISTOR | 2.2kΩ 1/16W J |       |
| R803       | NRSA63J-562X | MG RESISTOR | 5.6kΩ 1/16W J |       |
| R805       | NRSA63J-472X | MG RESISTOR | 4.7kΩ 1/16W J |       |

| Symbol No. | Part No.      | Part Name     | Description    | Local |
|------------|---------------|---------------|----------------|-------|
| R806       | NRSA63J-332X  | MG RESISTOR   | 3.3kΩ 1/16W J  |       |
| R807       | NRSA63J-562X  | MG RESISTOR   | 5.6kΩ 1/16W J  |       |
| R809       | NRSA63J-223X  | MG RESISTOR   | 22kΩ 1/16W J   |       |
| R811       | NRSA63J-153X  | MG RESISTOR   | 15kΩ 1/16W J   |       |
| R812       | NRSA63J-562X  | MG RESISTOR   | 5.6kΩ 1/16W J  |       |
| R814       | NRSA63J-183X  | MG RESISTOR   | 18kΩ 1/16W J   |       |
| R815       | NRSA63J-153X  | MG RESISTOR   | 15kΩ 1/16W J   |       |
| R816       | NRSA63J-562X  | MG RESISTOR   | 5.6kΩ 1/16W J  |       |
| R818       | NRSA63J-223X  | MG RESISTOR   | 22kΩ 1/16W J   |       |
| CN251      | QGF1036F1-15  | CONNECTOR     | FFC/FPC (1-15) |       |
| CN252      | QGA2001F1-02  | CONNECTOR     | W-B (1-2)      |       |
| CN253      | QGA2001F1-03  | CONNECTOR     | W-B (1-3)      |       |
| CN601      | QGF1006F2-16W | CONNECTOR     | FFC/FPC (1-16) |       |
| CN602      | QGA2001F1-06  | CONNECTOR     | W-B (1-6)      |       |
| CN651      | QGF1036F1-17  | CONNECTOR     | FFC/FPC (1-17) |       |
| K654       | NQR0007-002X  | FERRITE BEADS |                |       |
| X251       | QAX0684-001Z  | C RESONATOR   | 8.38MHz        |       |
| X651       | NAX0476-001X  | CRYSTAL       | 33.8688MHz     |       |

## Loading switch board

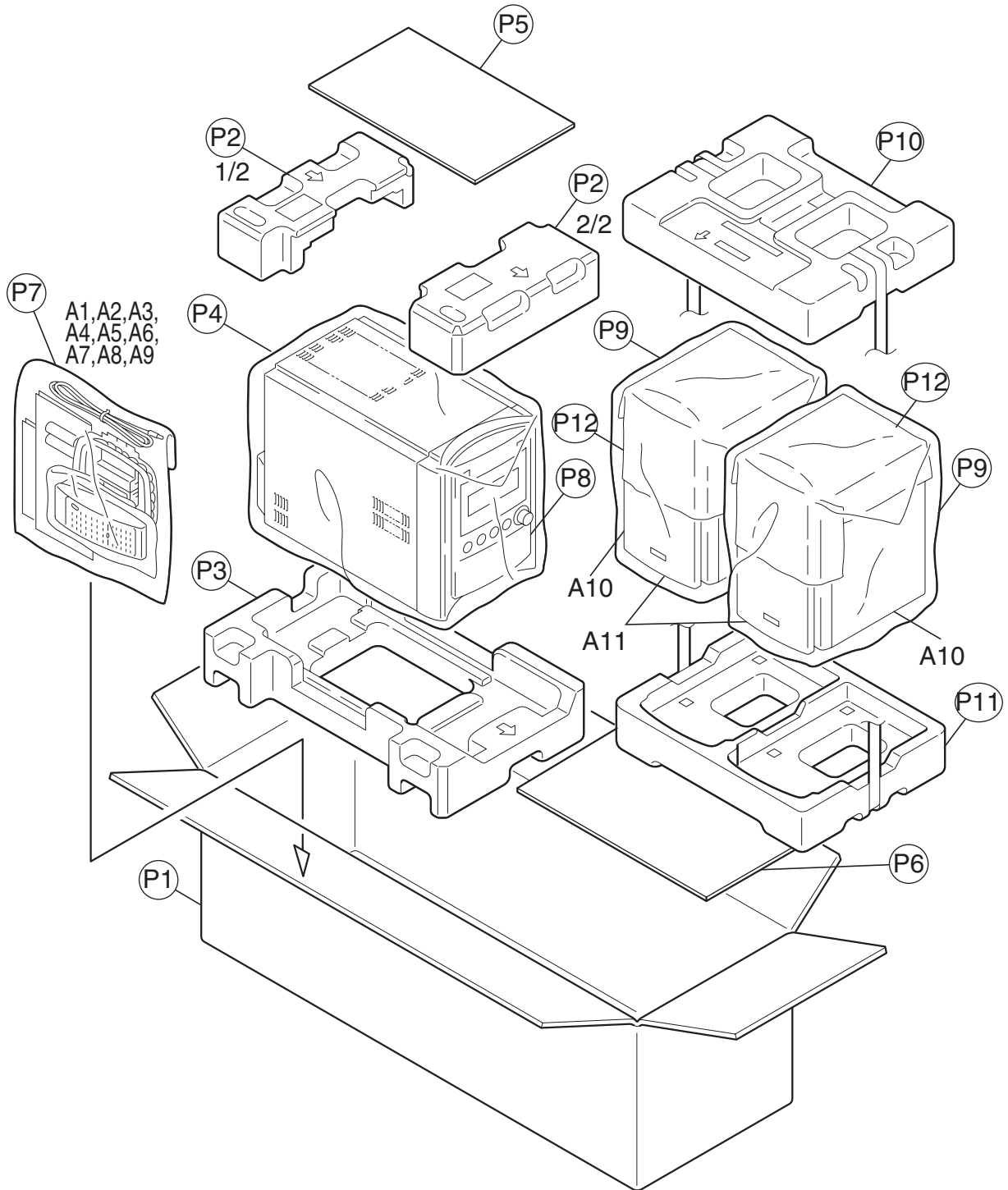
Block No. [0][4][0][0]

| Symbol No. | Part No.      | Part Name     | Description    | Local |
|------------|---------------|---------------|----------------|-------|
| IC1        | LB1641        | IC            |                |       |
| IC2        | LB1641        | IC            |                |       |
| D1         | MTZJ6.2A-T2   | Z DIODE       |                |       |
| C1         | QEK1AM-107Z   | E CAPACITOR   | 100uF 10V M    |       |
| C2         | QCFB1HZ-104Y  | C CAPACITOR   | 0.1uF 50V Z    |       |
| C3         | QFLC1HJ-103Z  | M CAPACITOR   | 0.01uF 50V J   |       |
| C5         | QFLC1HJ-103Z  | M CAPACITOR   | 0.01uF 50V J   |       |
| C6         | QCFB1HZ-104Y  | C CAPACITOR   | 0.1uF 50V Z    |       |
| C7         | QCFB1HZ-104Y  | C CAPACITOR   | 0.1uF 50V Z    |       |
| CN1        | QGF1036F1-15  | CONNECTOR     | FFC/FPC (1-15) |       |
| CN2        | QGB1214J1-08S | CONNECTOR     | B-B (1-8)      |       |
| CN3        | QGB1214K1-08S | CONNECTOR     | B-B (1-8)      |       |
| SW1        | QSW0844-001   | PUSH SWITCH   |                |       |
| SW2        | QSW0844-001   | PUSH SWITCH   |                |       |
| SW3        | QSW0844-001   | PUSH SWITCH   |                |       |
| SW4        | QSW0844-001   | PUSH SWITCH   |                |       |
| SW5        | QSW0844-001   | PUSH SWITCH   |                |       |
| SW6        | QSW0854-002   | PUSH SW       |                |       |
| SW7        | QSW0886-002   | DETECT SWITCH |                |       |
| SW8        | QSW0886-002   | DETECT SWITCH |                |       |

< MEMO >

# Packing materials and accessories parts list

Block No. M 3 M M



## Packing and accessories

Block No. [M][3][M][M]

| △ Symbol No. | Part No.       | Part Name       | Description | Local |
|--------------|----------------|-----------------|-------------|-------|
| A 1          | GVT0134-002A   | INST BOOK       | ENG,FRE     | S57C  |
| A 1          | GVT0134-001B   | INST BOOK       | ENG         | S57J  |
| A 2          | RM-SFSS57J     | REMOCON UNIT    |             |       |
| A 3          | -----          | BATTERY         | (x2)        |       |
| A 4          | BT-51028-2     | REGISTER CARD   |             | S57J  |
| A 5          | YU20333        | SAFETY INST.    |             |       |
| A 6          | QAL0457-001    | ANT.WIRE        |             |       |
| A 7          | QAL0014-001    | AM LOOP ANT     |             |       |
| A 8          | BT-52006-2     | WARRANTY CARD   |             | S57C  |
| A 9          | BT-20071B      | SERVICE NETWORK |             | S57C  |
| A 10         | FSS57J-SPBOX   | SPEAKER BOX     | (x2)        |       |
| A 11         | ASW803236-0001 | CLOTH FRAME     | (x2)        |       |
| P 1          | GV20294-005A   | CARTON BOX      |             |       |
| P 2          | GV10150-003A   | CUSHION UPPER   |             |       |
| P 3          | GV10150-002A   | CUSHION LOWER   |             |       |
| P 4          | QPC06005515P   | POLY BAG        | 60cm x 55cm |       |
| P 5          | GV40237-006A   | CARTON SPACER   |             |       |
| P 6          | GV40237-002A   | CARTON SPACER   |             |       |
| P 7          | QPC02503515P   | POLY BAG        | 25cm x 35cm |       |
| P 8          | GV40495-001A   | PAPER SHEET     |             |       |
| P 9          | IVA802300-0015 | POLY BAG        | (x2)        |       |
| P 10         | ITF830253-0001 | TOP POLYFOAM    |             |       |
| P 11         | ITF830253-0002 | BTM POLYFOAM    |             |       |
| P 12         | IVH802001-0042 | MIRAMAT SHEET   | (x2)        |       |